

## TAOS BACK-TO-WALL BATHTUB WITH INTEGRAL OVERFLOW

Taos Back-to-Wall Bathtub with Integral Overflow

TAO-F6232-C-WH

### FEATURES

- Generous proportions and sleek styling combine for a dynamic statement.
- Ledge provides platform for deck-mount tub filler (not suitable for mounting US-PRO450 or US-WP450)
- Ledge can be drilled for 2, 3, 4 or 5 holes for tub filler (supplied undrilled)
- Waste, Overflow and Drain cap included (ClearStone)
- Recommended Island Tub Drain Adapter: ITD5135 (sold separately)




### SPECIFICATIONS

|                             |              |
|-----------------------------|--------------|
| Barcode                     | 810066367487 |
| Length                      | 62"          |
| Width                       | 31-1/2"      |
| Height                      | 21-5/8"      |
| Color                       | White        |
| Finish                      | Semi-Gloss   |
| Water depth                 | 17"          |
| Drain position              | Center       |
| Installation type           | Freestanding |
| Material                    | ClearStone   |
| Weight                      | 295 lbs      |
| Weight with water           | 829 lbs      |
| Capacity                    | 92 gallons   |
| Displaced capacity          | 74 gallons   |
| IAPMO                       | Yes          |
| Massachusetts Code Approval | Yes          |

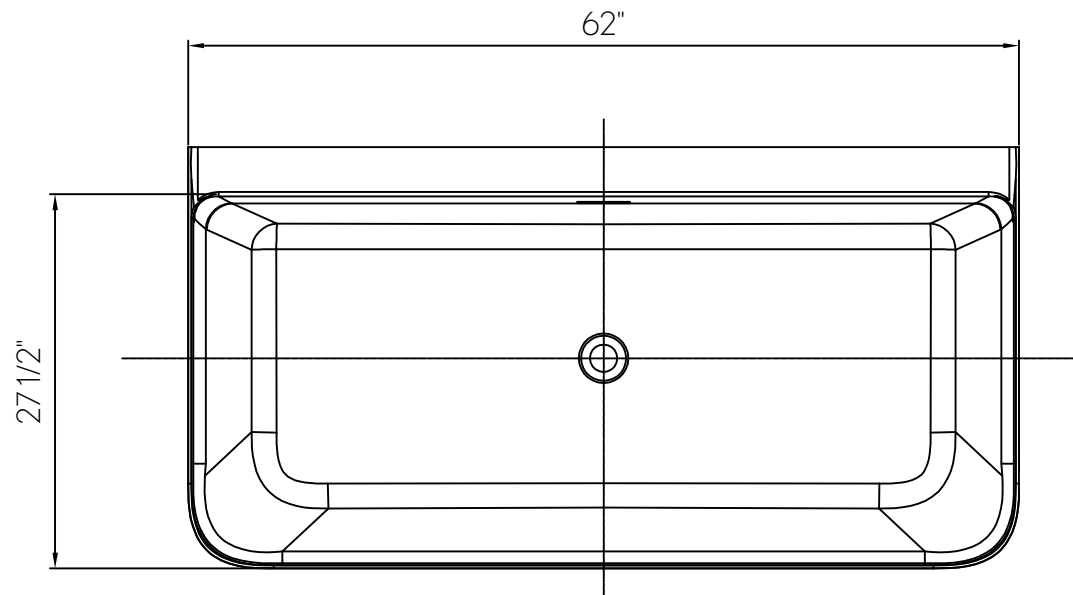
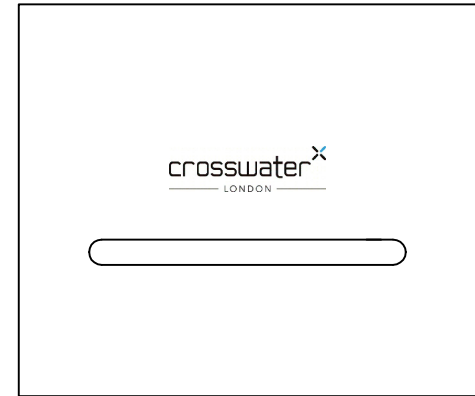
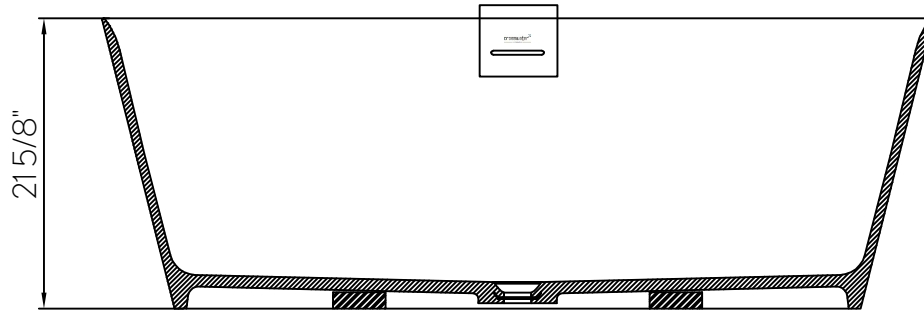
✓ Limited Lifetime. Commercial



### AVAILABLE COLOR/FINISHES

| Color  | SKU            | Description |
|--|----------------|-------------|
|  | TAO-F6232-C-WH | White Gloss |

# TAOS BACK TO WALL BATHTUB WITH INTEGRAL OVERFLOW AND WASTE TAO-F6232-C-WH



\*BATH WASTE INCLUDED

crosswater<sup>x</sup>  
LONDON