

DARBY VOLUME CONTROL AND DIVERTER TRIM

Polished chrome

15-17-T-PC

FEATURES

- Classic meets Art Deco in a statement of distinctive luxury with Darby
- This trim can be used as a volume control (with rough VC-RGH), a two-way diverter (with rough DIV-RGH) or a three-way diverter (with rough 3DV-RGH)
- Volume control controls on/off and volume functions for a single component in a shower system
- Diverters alternate flow between two or three water outlets
- Required roughs feature Fluhs quarter-turn ceramic disc volume control cartridge or Kerox diverter cartridge
- Required rough (sold separately):
- Volume control VC-RGH
- Two-way diverter DIV-RGH
- Three-way diverter 3DV-RGH



✓ Limited lifetime. Commercial



SPECIFICATIONS

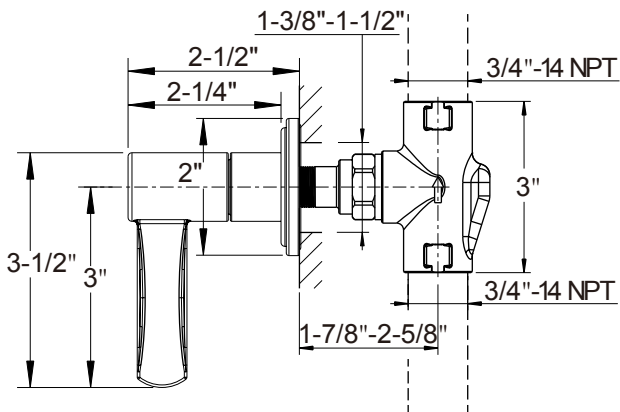
Finish	Polished chrome
Barcode	5055806072442
Handle style	Lever
Inlet connection size	1/2" or 3/4" NPT
Outlet connection size	1/2" or 3/4" NPT
Rough-in depth minimum	VC-RGH - 2-7/8", DIV-RGH - 2-1/2", 3DV-RGH - 2-3/8"
Rough-in depth maximum	VC-RGH - 3-5/8", DIV-RGH - 3-1/4", 3DV-RGH - 3-1/8"
Extension kit	5T1C0319NT + 5P0C0582NT
Installation type	Concealed
IAPMO	Yes
State of MA	Yes

AVAILABLE COLOR/FINISHES

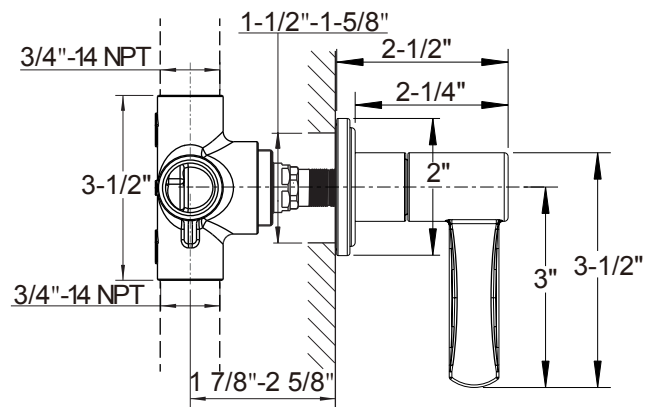
Color	SKU	Description
	15-17-T-PC	Polished Chrome
	15-17-T-PN	Polished Nickel
	15-17-T-SN	Satin Nickel

Darby Volume Control and Diverter Trim 15-17-T

Volume Control - with VC-RGH Valve



2-way Diverter - with DIV-RGH Valve



3-way Diverter - with 3DV-RGH Valve

