

## PALERMO BASIN

White

US-B3CCS

### FEATURES

- Refined simplicity of design reflects contemporary influence
- Made of ClearStone
- Size: 21-5/8" W x 13-3/4" D x 5-5/8" H

### SPECIFICATIONS

Barcode	0
Material	ClearStone
Overflow	No
Width	21-5/8"
Depth	13-3/4"
Height	5-5/8"
Weight	12 lbs
IAPMO	Yes
State of MA	Yes



✓ Limited lifetime. Commercial

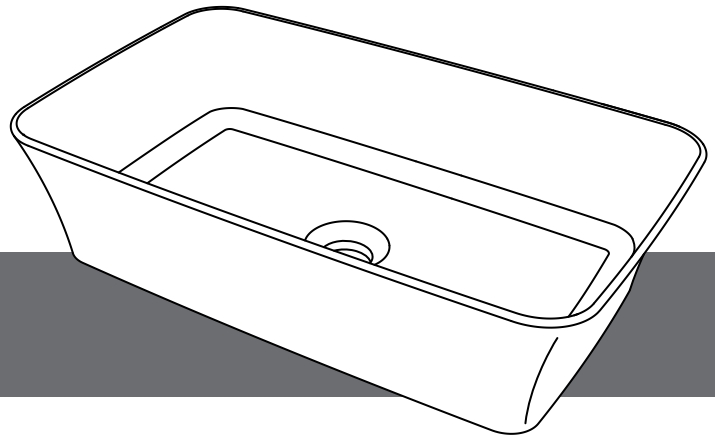


### AVAILABLE COLOR/FINISHES

Color	SKU	Description
	US-B3CCS	White

# Palmero Basin

US-B3CCS



## Installation Instructions



### Introduction

This basin has been fully inspected throughout the production process and only leaves our factory after a 15-stage QC process. Carefully remove the basin from the box and check that all parts have been supplied.

Before beginning installation of the basin, please check for any damage that may have occurred during transport. **Note: Damage claims cannot be made during or after installation.**

It is recommended to remove the protective packaging film **after** installation of the basin. Improper installation shall result in loss of warranty in case of damage caused by impacts or rubbing against rough surfaces.

Prior to installing the basin prepare a connection of water inlet/outlet. The installation procedure of the basin may differ from that described in the installation instructions depending on where the basin is to be located.

**IMPORTANT: Please read these instructions carefully before beginning and retain for future reference.**

It is recommended to use **US-BSW0101** waste flow products with this basin.

### Installation notes

The installation must comply with all plumbing codes including local codes and be installed by a licensed plumbing contractor. Store the basin in a safe place until beginning installation to avoid any damage.

Assemble the basin on a mat to protect against damage to the basin surface.

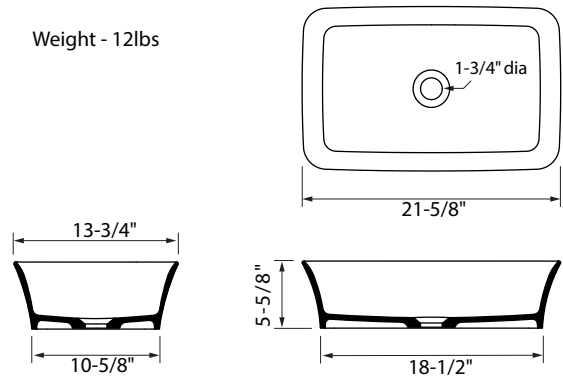
Avoid getting cement, grit, sand or masonry products on to the surface.

Protect and cover the basin during the installation period to prevent damage from occurring.

**IMPORTANT:** Turn off the main water supply before connecting to any existing pipework or doing any maintenance. Please check for any hidden pipes and cables, electric or otherwise, before drilling holes in a wall or floor.

### Dimensions

Weight - 12lbs



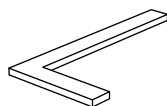
### Tools required



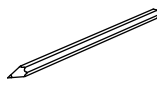
Tape measure



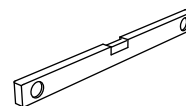
Safety glasses



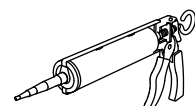
Set square



Pencil



Spirit level



Silicone sealant

## 1 Installation

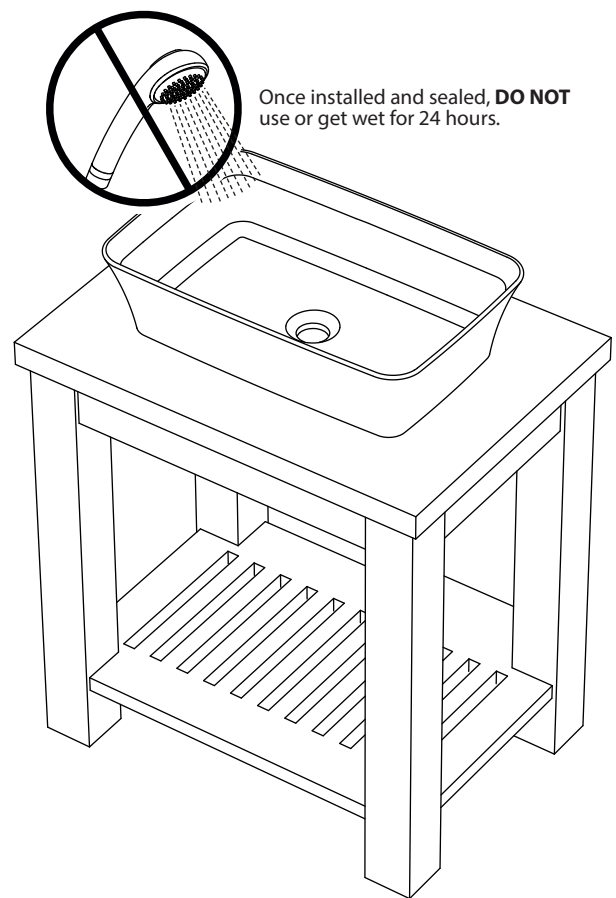
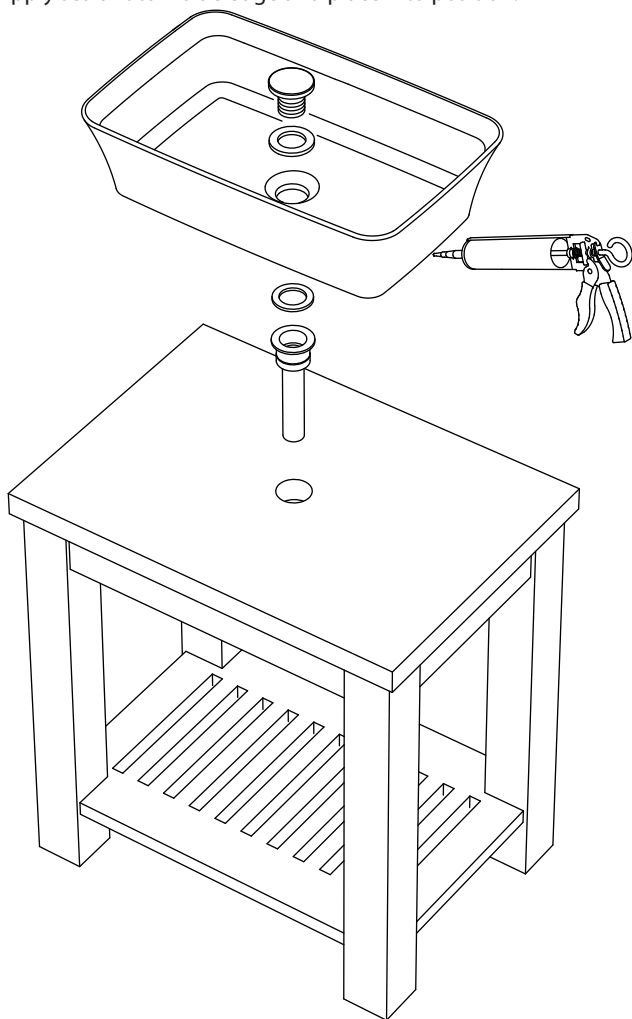
- Remove the basin carefully from the packaging leaving the protective film in place until after installation is complete.
- Lift and place the basin into position. Avoid dragging the basin over rough surfaces.

## 2 Installation

- This installation guide does not include details of the waste connection. The final decision about installation of the waste connection should be made by a licensed plumbing contractor.
- Install the waste according to the installation instructions supplied with the waste.
- Place the basin in the desired position making sure the waste hole is aligned.
- Apply sealant to inside edge and place into position.

**IMPORTANT: Do NOT overtighten the waste as this may cause damage to the basin which is not covered under warranty.**

**We recommend using a torque wrench to tighten the waste by using a torque force between 25Nm or 18.5 ft/lb and 50Nm or 36.8 ft/lb.**



## 3 Maintenance

Clean the basin regularly with non-abrasive soap and warm water. Fully rinse after cleaning.

While Clearstone is highly stain resistant, it is recommended that water containing additives such as creams, oils or salts is always drained and rinsed immediately after use.

Please note that hair dyes and color cosmetics (eg. mascara, lipstick, face powder) may leave a slight discoloration if not removed immediately. If any strong chemicals come into contact with the basin, remove and rinse immediately.

Water temperature should not exceed 49°C/120°F.

To remove a fine scratch or a slight mark, use a 1500-grade sandpaper. Gently sand the area with water. For best results, limit sanding to the smallest possible area around the scratch. Re-polish the surface afterwards using a neutral polishing compound or toothpaste. It may be possible to polish very fine scratches away without using abrasive papers: scrub gently with a soft brush or plastic pad (not a metal scouring pad) and a mildly abrasive cream cleaner. Afterwards scrub the whole area with plenty of clean water and re-polish as before.

If the scratch or mark is too deep and cannot be repaired using the above method, it is possible to purchase a repair kit **US-CRK**. In order to remove the scratches, follow the instructions included with the kit.

**Warranty** - This **Crosswater London** product is covered by a 5-year warranty. For full details, terms and conditions please visit our website.

For further information contact: **Crosswater London**, 393 Fortune Blvd., Milford, MA 01757

[www.crosswaterlondon.com](http://www.crosswaterlondon.com)

Toll free number: 844-XWATER-1 (844-992-8371) tel: 508-381-0433 fax: 508-381-6068

email: [technical@crosswaterlondon.com](mailto:technical@crosswaterlondon.com)