

Applicable Standards/Codes

IAPMO certified to meet or exceed the following:

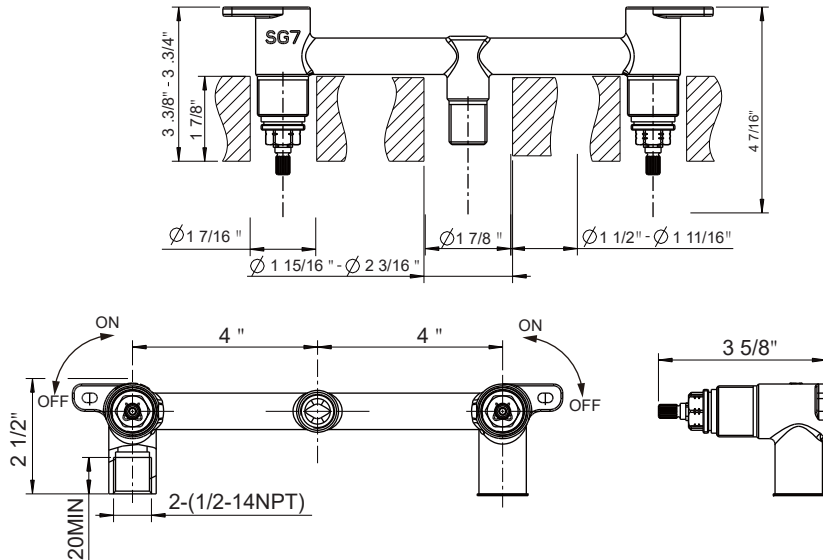
- ASME A112.18.1/CSA B125.1
- Uniform Plumbing Code
- National Plumbing Code of Canada
- EPA WaterSense
- ADA Compliant



Care

If the valve is going to be unused for an extended period of time, the water supply to the valve should be drained then shut off.

Installation Dimensions



Tools You Will Need



Adjustable Wrench



Adjustable Pliers



Teflon Tape



Screwdriver

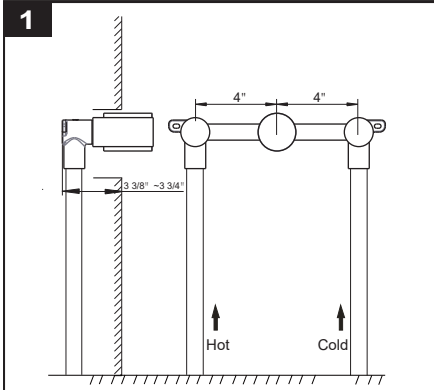
For ease of installation you will need:

- To read the installation instructions completely before beginning.
- To read all warnings, care, and maintenance information.

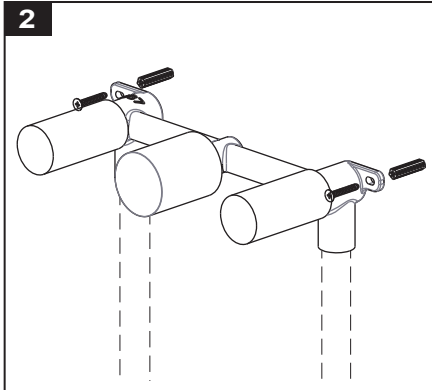
Before beginning installation, check for any damage that may have occurred during transport.

Note: Damage claims cannot be made during or after installation.

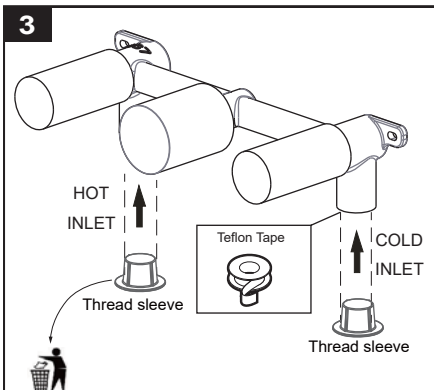
Installation Instructions



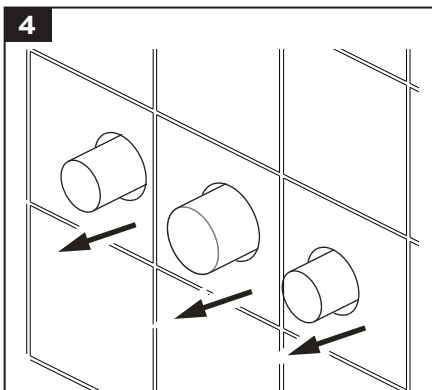
This valve is designed to fit into a wall that is 3-3/8" to 3-3/4" from finished wall to the back of the valve. A recess must be made in the wall to accommodate the valve body.



Place the valve body into position and determine what alterations to the existing pipework are necessary. Secure the valve body using suitable fixing screws for the wall type.



Remove thread sleeves. Connect the hot (to the left) and cold (to the right) water supplies to the 1/2" NPT fittings at the bottom of the valve body. Apply sealing tape to connections if necessary.



Till the wall. Remove the protective cover from the valve body. Continue the installation by following the installation instructions for chosen trim sets. Note: Do not turn on the main water supply until the installation is complete.

Replacement Parts

No.	Description	Part No.
1	Cartridge(Cold)	5D8032500NT7
2	Cartridge(Hot)	5D8032600NT7
3	Protective cover	5L0P0392PL
4	Protective cover	5L0P0396PL
5	Adapter assembly	5Y0407200NT0
6	Thread sleeve	5Y0P0013PL

