

2500 Valve Trim

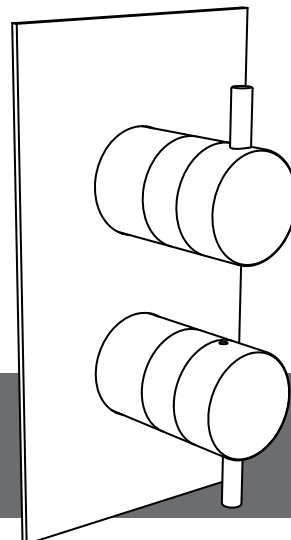
Belgravia US-BL2500

MPRO US-PRO2500

Waldorf US-WF2500

Wisp US-WP2500

Installation Instructions



Introduction

The installation must comply with all plumbing codes including local codes.

These instructions also apply to lever and cross handle versions. Please make sure the valve is placed in the correct orientation if there are etchings on the front of the handle.

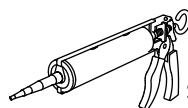
Fitting isolating valves to the inlet feeds is recommended for ease of maintenance.

INSTALLATION: Turn off the main water supply before connecting to any existing pipe work.

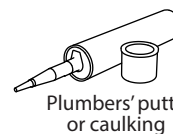
WARNING! Please check for any hidden pipes and cables, electric or otherwise before drilling holes in a wall.

Before beginning installation, check for any damage that may have occurred during transport. **Damage claims cannot be made during or after installation.**

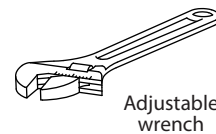
Tools required



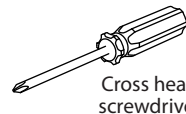
Silicone sealant



Plumbers' putty or caulking



Adjustable wrench



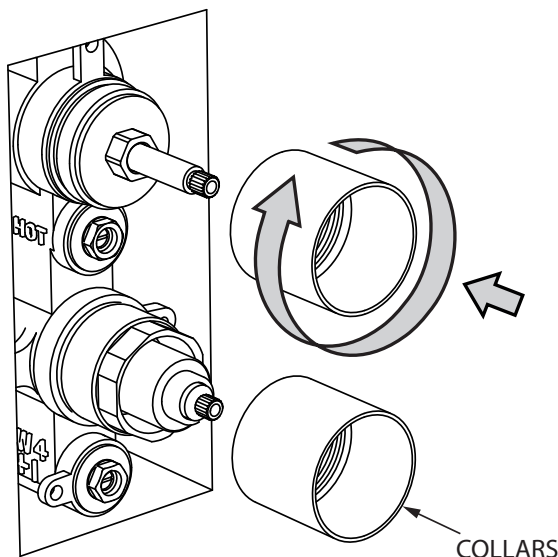
Cross head screwdriver



Hexagonal key

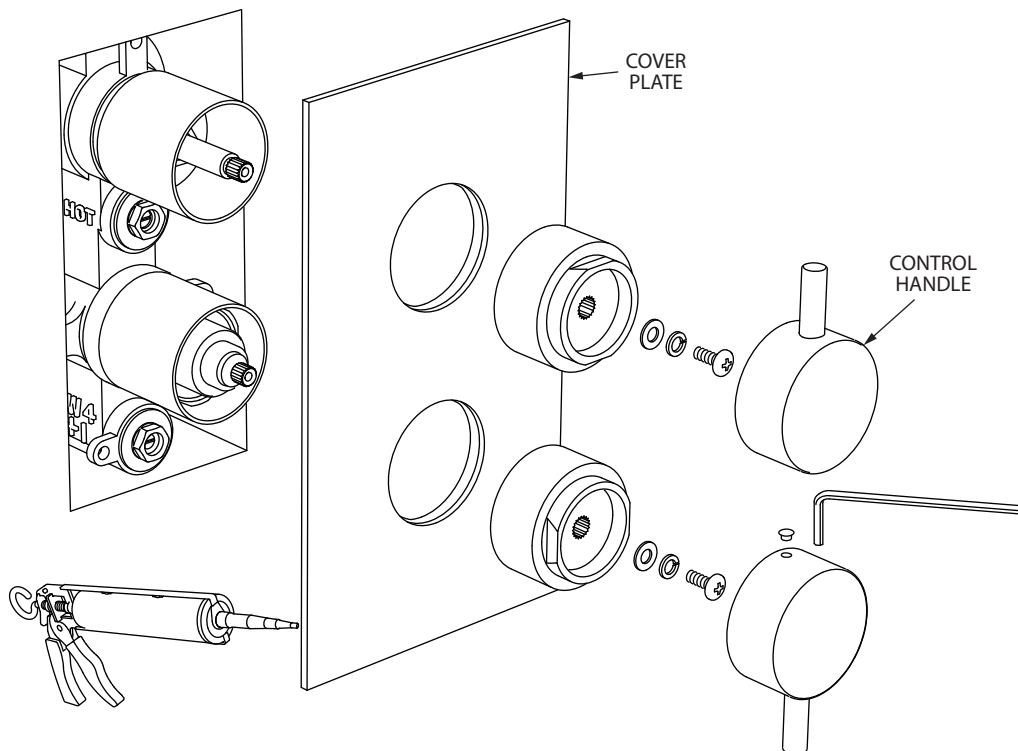
1 Installation 2500 rough

- Follow install guide for 2500 valve rough.
- Attach the finished collars by threading clockwise to the valve.



2 Installation

- Remove the adhesive tape film on the backside of the cover plate.
- Apply a narrow bead of clear silicone sealant around the back edge of the cover plate and carefully press into position, ensuring it is placed in the correct orientation if there are etchings on the front of the cover plate.
- Install the control handles by lining up the flat surface of the valve cover with the set screw on the handle and tighten the screw with a hexagonal key.



3 Cleaning Instructions

Rinse away any traces of soap and gently dry with a clean, soft cloth after each use. Rinse completely with water and dry any overspray. This will maintain the finish and avoid water spotting.

To remove mineral deposits, use a 50/50 solution of white vinegar and water. Do not allow the solution to soak on the product. Simichrome Polish® contains a protective film to enhance maintenance and is helpful in preventing water spot buildup. Follow instructions to ensure optimum results.

Never use an abrasive material such as a brush or scouring pad to clean the surface. The use of abrasive cleaners, cleansers or disinfectants will alter the surface finish and void the warranty.

Do not allow certain materials such as toothpaste, cologne, shaving cream, nail polish remover, vinegar, wine, drain and glass cleaners to remain on the surface. Prolonged contact will alter surface finishes and void the warranty.

We DO NOT recommend using any household cleaners as many can cause damage to the finish.

Please see the website for care instructions for specific finishes.

Warranty - This **Crosswater London** product is covered by a limited lifetime warranty. For full details, terms and conditions, please visit our website.

For further information contact: **Crosswater London**, 393 Fortune Blvd., Milford, MA 01757

www.crosswaterlondon.com

Toll free number: 844-XWATER-1 (844-992-8371) tel: 508-381-0433 fax: 508-381-6068

email: technical@crosswaterlondon.com