

## Leyden Deck-mount Tub Faucet with Handshower Trim 14-03-T

### Installation Instructions



For ease of installation you will need:

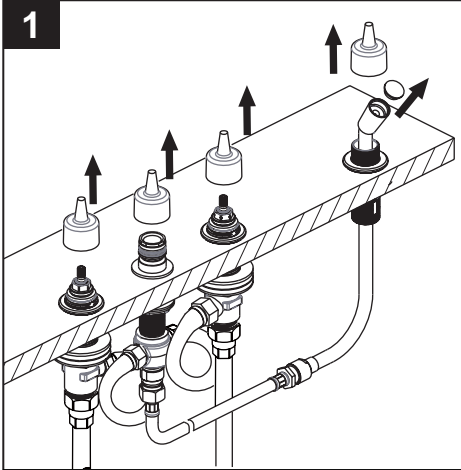
- To read the installation instructions completely before beginning.
- To read all warnings, care, and maintenance information.

**Anti-scald protection is the responsibility of the installer and according to applicable codes.**

Before beginning installation, check for any damage that may have occurred during transport.

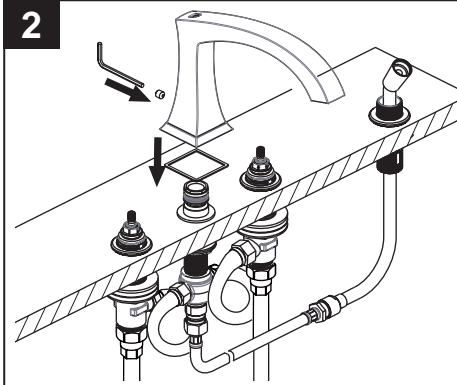
**Note: Damage claims cannot be made during or after installation.**

**Installation Instructions**



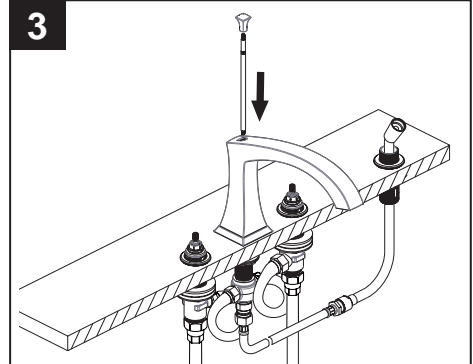
**1**

Turn the water supply off and remove the mud guards.



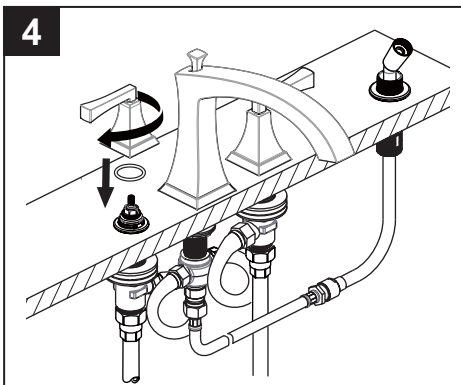
**2**

Place the spout washer under the spout and install spout on spout nipple-diverter assembly. Be sure the spout is firmly resting on the deck. Secure the spout with the set screw.



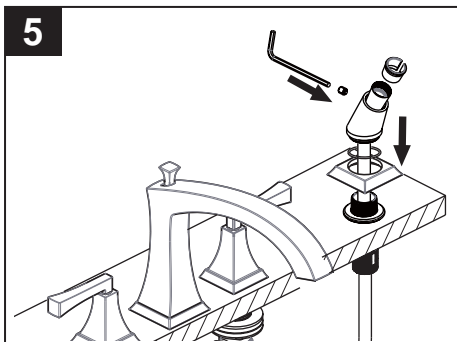
**3**

Insert diverter knob and rod assembly into the spout and thread the assembly onto the diverter rod in the spout diverter assembly. Pull the diverter rod and knob up and down to test the connection.



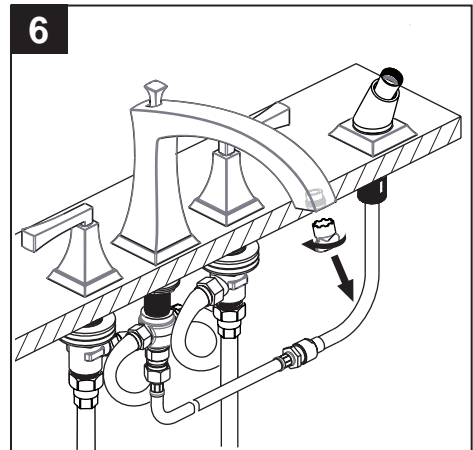
**4**

Place the "O" ring over the cold valve. Align the handle and place the handle and escutcheon assembly into the valve. Secure the assembly by turning the escutcheon clockwise. Repeat for hot valve.



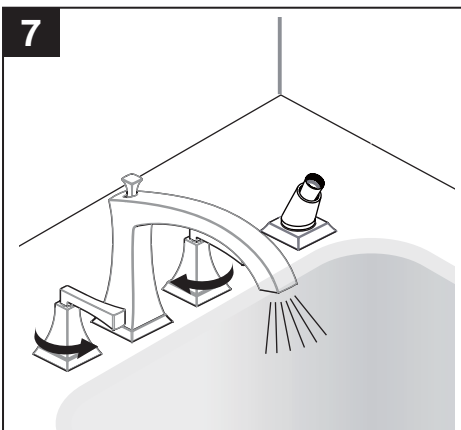
**5**

Pull black nylon or finished hose through the hand shower nipple bracket. Slide the hand shower "O" ring, bracket and hose guide over the hose. Secure the assembly with the setscrew. Note, make sure the hose does not slip under the deck.



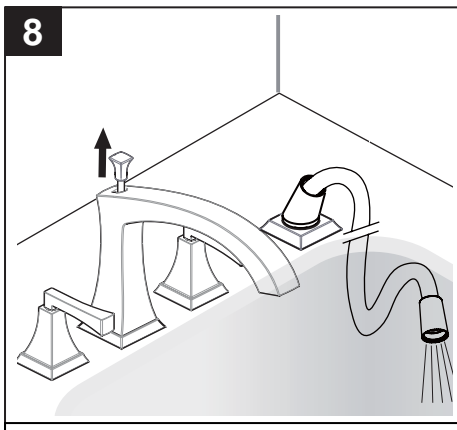
**6**

Remove the aerator with the supplied key. Turn the water supply on.



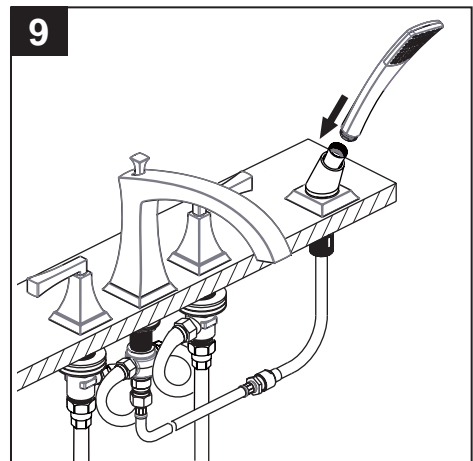
**7**

Make sure the diverter knob is in the down position. Turn the faucet handles on full for one minute to flush debris.



**8**

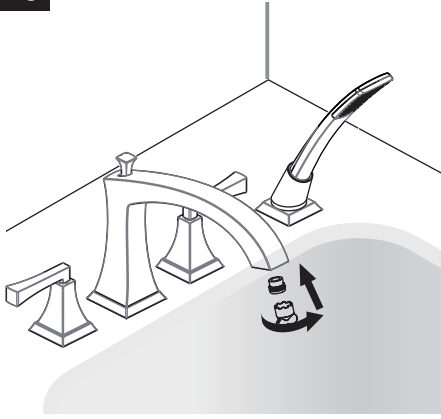
Leaving the water on, pull the hose to its farthest extension and point it into the tub. Pull the diverter knob to its top position. Flush the debris for one minute. Turn off the valves.



**9**

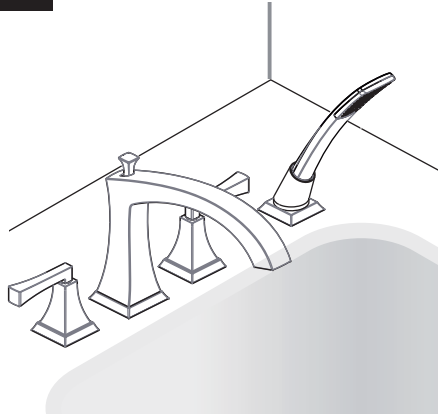
Attach the hand shower to the black nylon or finished hose.

10



Re-install the aerator with key.

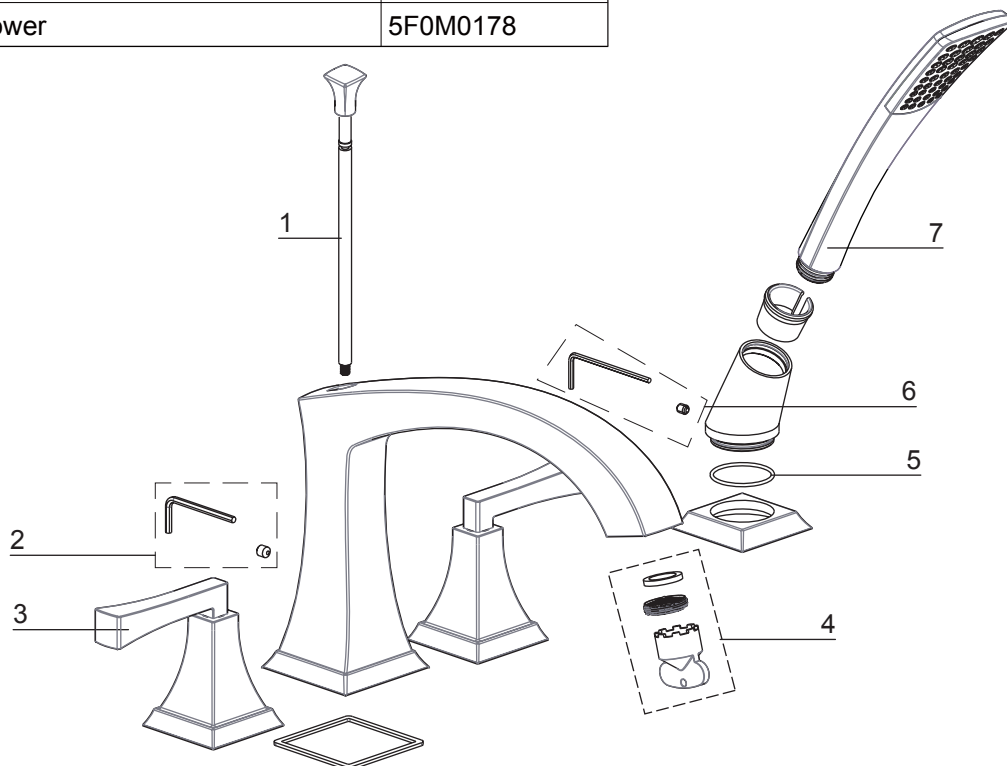
11



Installation complete.

## Replacement Parts

NO.	Description	Part NO.
1	Diverter Knob & Rod Assembly	9Q1108
2	Deck Spout Set Screw & Allen Key	9Q1350NT
3	Handle Assembly	9Q1109
4	Washer, Key & Aerator	9Q1110PL
5	Washer	51011909PL
6	Hand Shower Set Screw & Allen Key	9Q1349NT
7	Hand Shower	5F0M0178



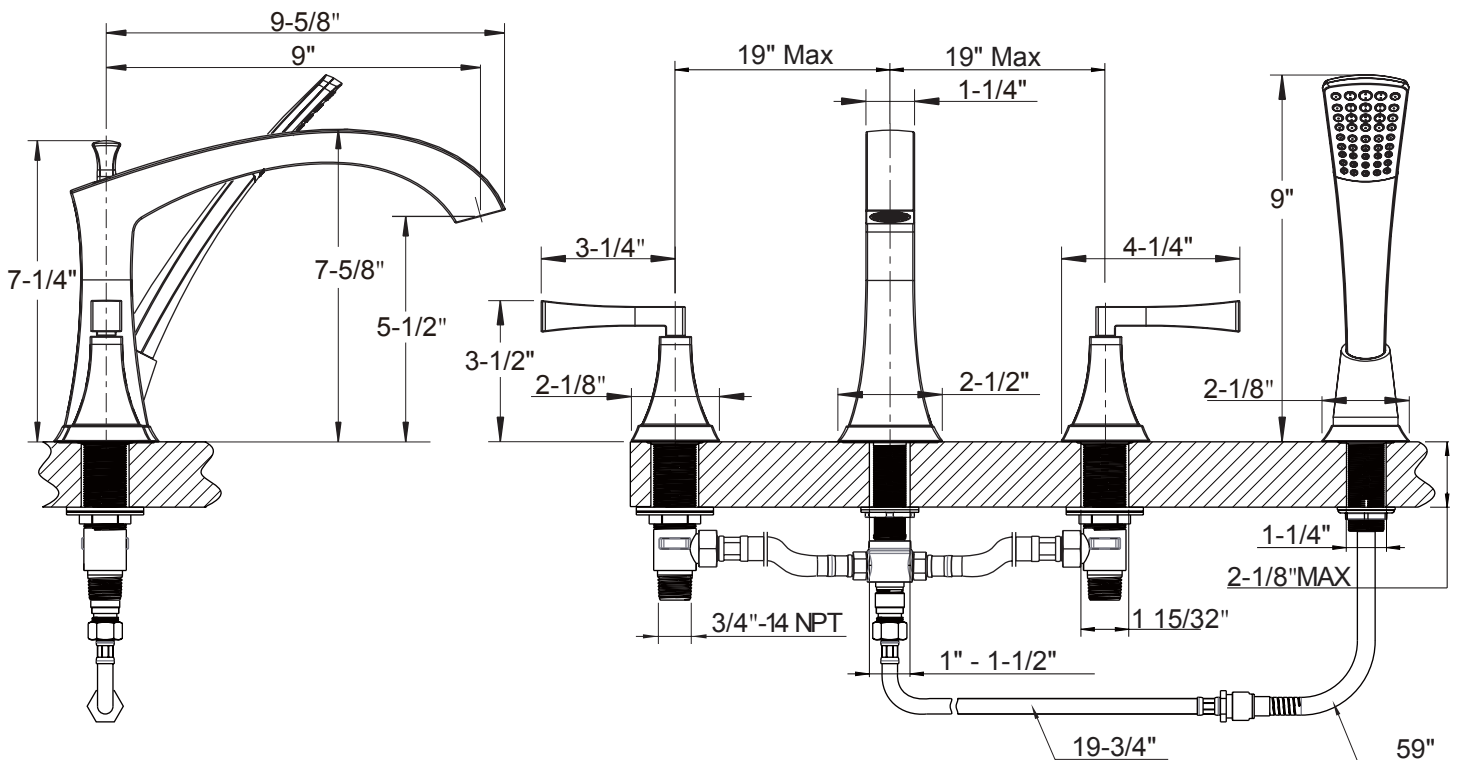
### Applicable Standards/Codes

IAPMO certified to meet or exceed the following:

- ASME A112.18.1/CSA B125.1
- Uniform Plumbing Code
- National Plumbing Code of Canada
- ADA Compliant



### Installation Dimensions



### Cleaning Instructions

Rinse away any traces of soap and gently dry with a clean, soft cloth after each use. Rinse completely with water and dry any overspray. This will maintain the finish and avoid water spotting.

To remove mineral deposits, use a 50/50 solution of white vinegar and water. Do not allow the solution to soak on the product.

Simichrome Polish® contains a protective film to enhance maintenance and is helpful in preventing water spot buildup. Follow instructions to ensure optimum results.

Never use an abrasive material such as a brush or scouring pad to clean the surface. The use of abrasive cleaners, cleansers or disinfectants will alter the surface finish and void the warranty.

Do not allow certain materials such as toothpaste, cologne, shaving cream, nail polish remover, vinegar, wine, drain and glass cleaners to remain on the surface. Prolonged contact will alter surface finishes and void the warranty.

**We DO NOT recommend using any household cleaners as many can cause damage to the finish.**

Please see the website for care instructions for specific finishes.

**Warranty** - This Crosswater London product is covered by a limited lifetime warranty. For full details, terms and conditions please visit our website.

For further information contact: **Crosswater London**, 393 Fortune Blvd., Milford, MA 01757

[www.crosswaterlondon.com](http://www.crosswaterlondon.com)

Toll free number: 844-XWATER-1 (844-992-8371) tel: 508-381-0433 fax: 508-381-606 8

email: [technical@crosswaterlondon.com](mailto:technical@crosswaterlondon.com)