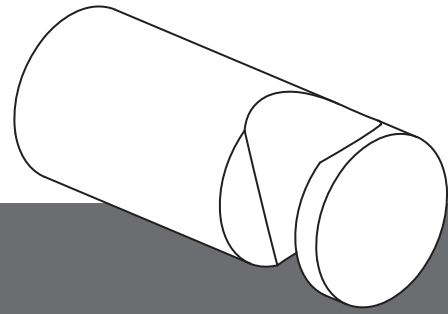


## Modern Handshower Wall Bracket

US-WB963



# Installation Instructions

## Introduction

**IMPORTANT:** Please read these instructions carefully before beginning and retain for future reference. These instructions have been prepared for your guidance; you must exercise due care at all times.

We do not accept responsibility for any problems that may occur through incorrect installation. Before beginning installation, check for any damage that may have occurred during transport.

**Note: Damage claims cannot be made during or after installation.**

## Installation notes

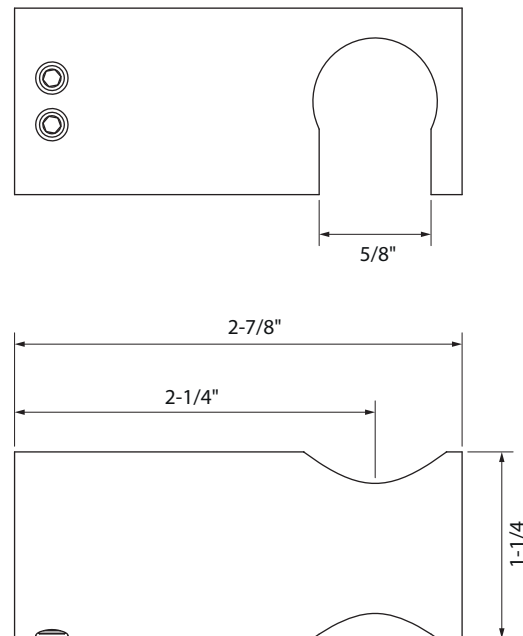
The installation must comply with all plumbing codes including local codes and be installed by a licensed plumbing contractor.

**IMPORTANT!** Before installation it is essential that the supply pipes are thoroughly flushed in order to remove any remaining debris, solder or other impurities. Failure to carry out this simple procedure can cause problems or damage to the working of the bracket. Installing shut-off valves on incoming supply lines is recommended for ease of maintenance.

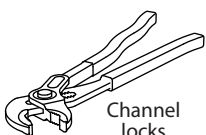
**Turn off the main water supply before connecting to any existing pipework or doing any maintenance.**

**WARNING! Please check for any hidden pipes and cables, electric or otherwise, before drilling holes in a wall or floor.**

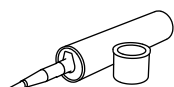
## Dimensions



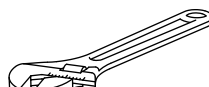
## Tools required



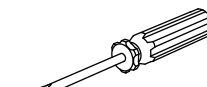
Channel locks



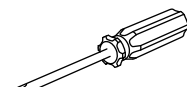
Plumber's putty or caulking



Adjustable wrench



Flat head screwdriver



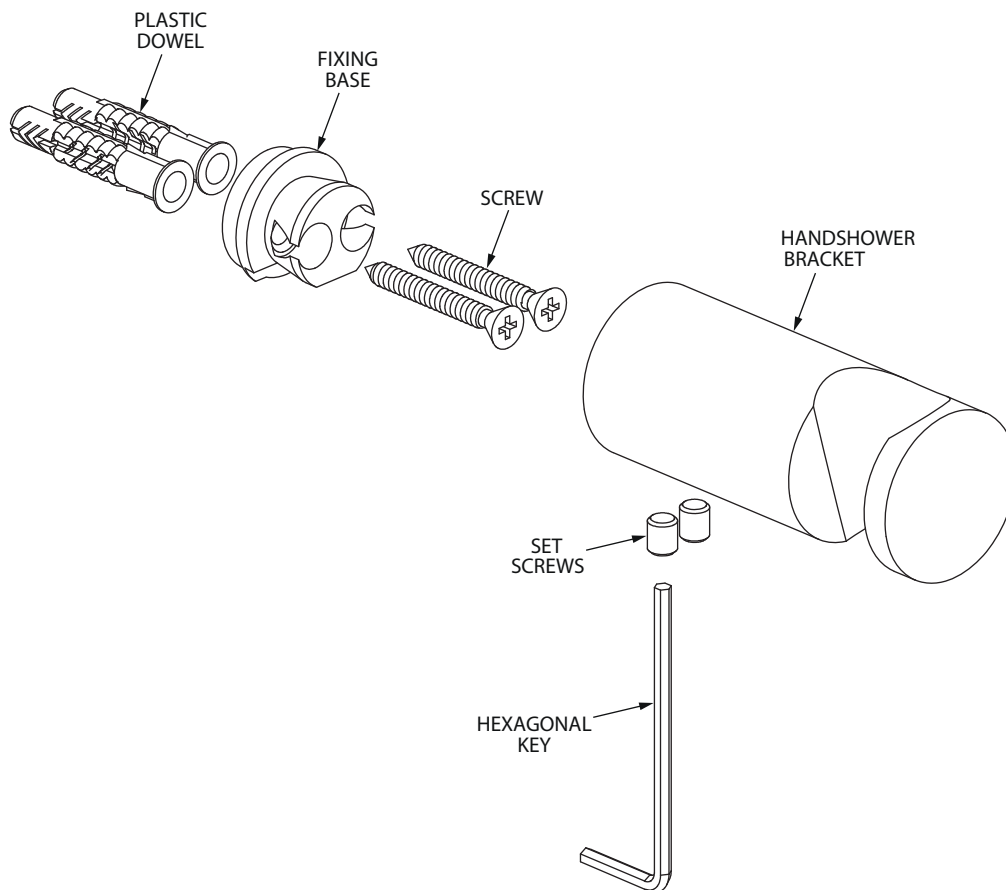
Cross head screwdriver



Hexagonal key

# 1 Installation

- Position the fixing base, mark the wall, then drill two  $\frac{5}{16}$ " holes at  $\frac{3}{8}$ " from center to center .
- Insert the plastic dowel wall fixings into the holes.
- Secure the fixing base using the screws provided.
- Position the handshower bracket on to the fixing base and secure with the set screws. Tighten the screws with the hexagonal key.



**Warranty** - This **Crosswater London** product is covered by a limited lifetime warranty. For full details, terms and conditions please visit our website.

For further information contact: **Crosswater London** , 393 Fortune Blvd., Milford, MA 01757  
Toll free number: 844-XWATER-1 (844-992-8371) tel: 508-381-0433 fax: 508-381-6068

**www.crosswaterlondon.com**  
email: technical@crosswaterlondon.com