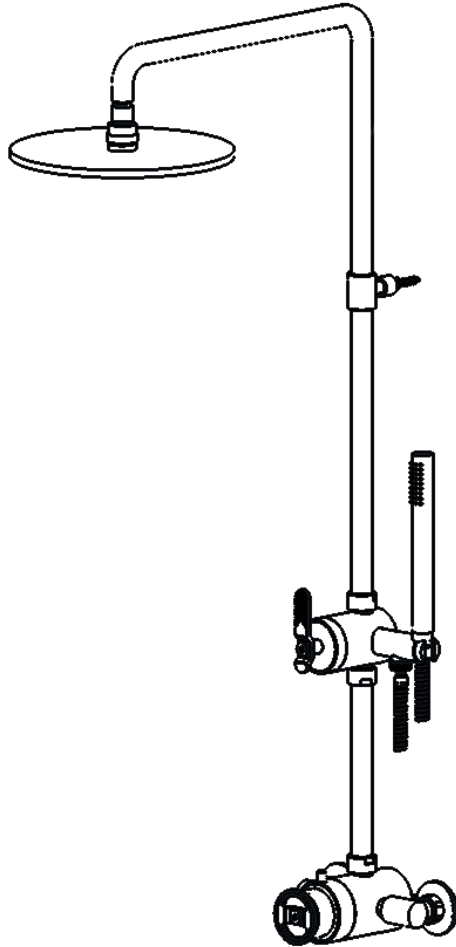


**UNION Exposed Thermostatic Shower Set**  
US-UN800 / US-UN820

INSTALLATION INSTRUCTIONS



## INTRODUCTION

The installation must comply with all plumbing codes including local codes. This valve is a mixing device and therefore requires the water supplies to be reasonably balanced, otherwise we recommend a pressure-reducing valve to be installed.

The valve is fitted with integral single-check valve cartridges, therefore the exposed valve is protected against cross-flow due to unbalanced line pressures.

Installing shut-off valves on incoming supply lines is recommended for ease of maintenance.

**IMPORTANT:** Before beginning installation, please check for any damage that may have occurred during transport.

**Note: Damage claims cannot be made during or after installation.**

Please read these instructions carefully before beginning and retain for future reference. These instructions have been prepared for your guidance, you must exercise due care at all times.

We do not accept responsibility for any problems that may occur through incorrect installation.

## INSTALLATION NOTES

**IMPORTANT!** Before installing a new faucet it is essential that the supply pipes are thoroughly flushed in order to remove any remaining debris, solder or other impurities. Failure to carry out this simple procedure can cause problems or damage to the working of the faucet.

Installing shut-off valves on incoming supply lines is recommended for ease of maintenance.

**Turn off the main water supply before connecting to any existing pipework or doing any maintenance.**

**WARNING! Please check for any hidden pipes and cables, electric or otherwise, before drilling holes in a wall or floor.**

# DIMENSIONS

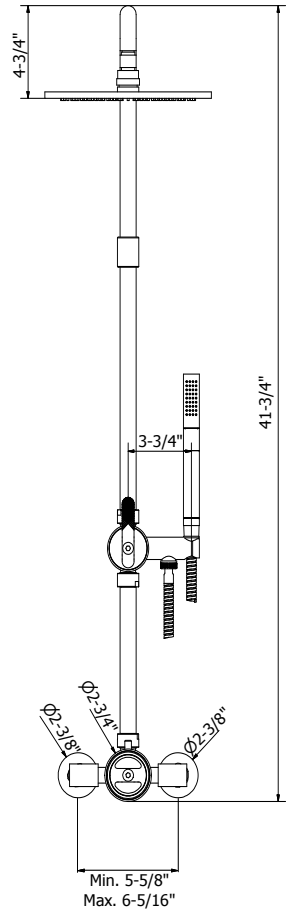
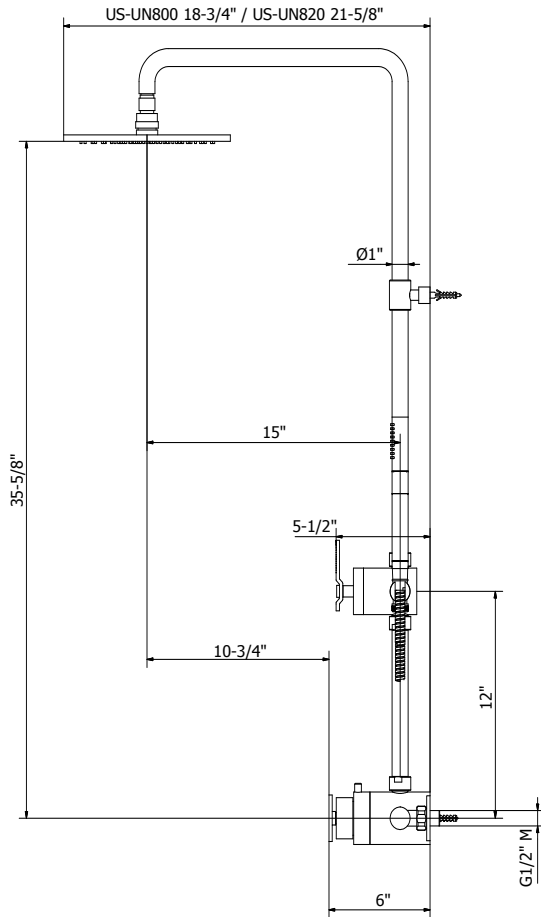
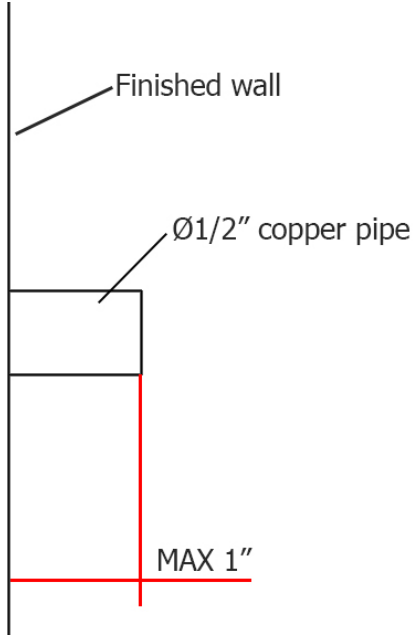


Fig. 1



**Fig. 2**



**Fig. 3**

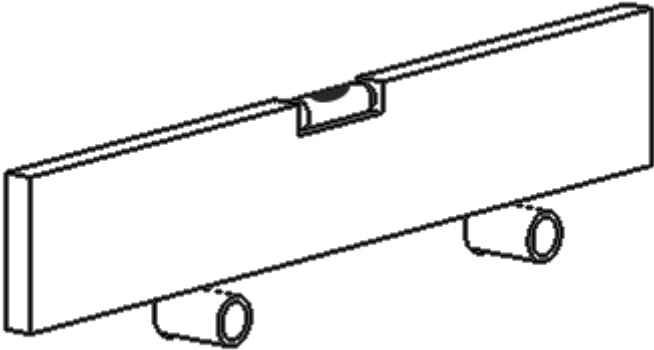


Fig. 4

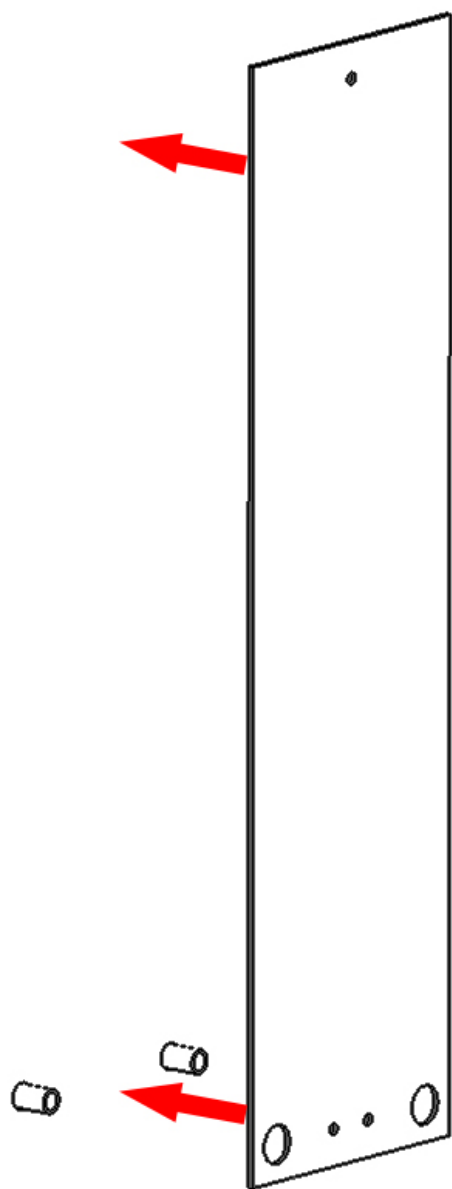
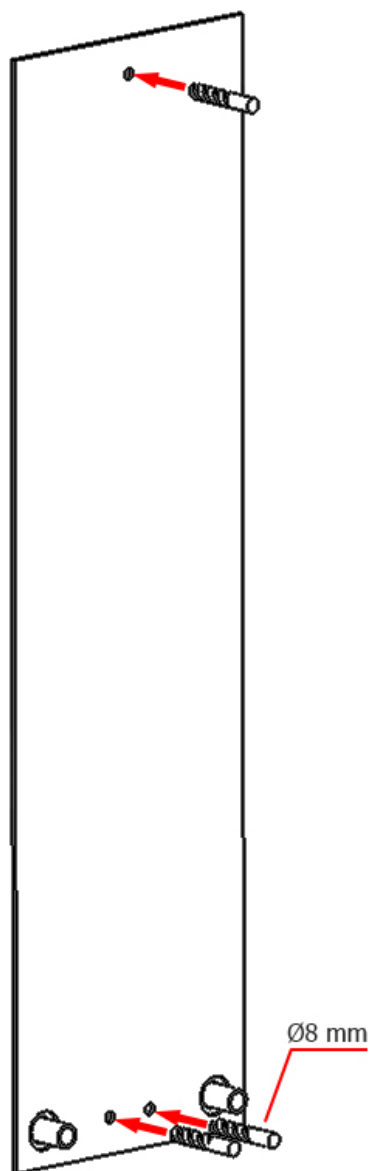
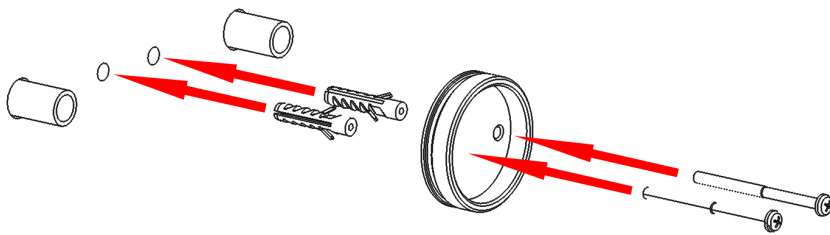


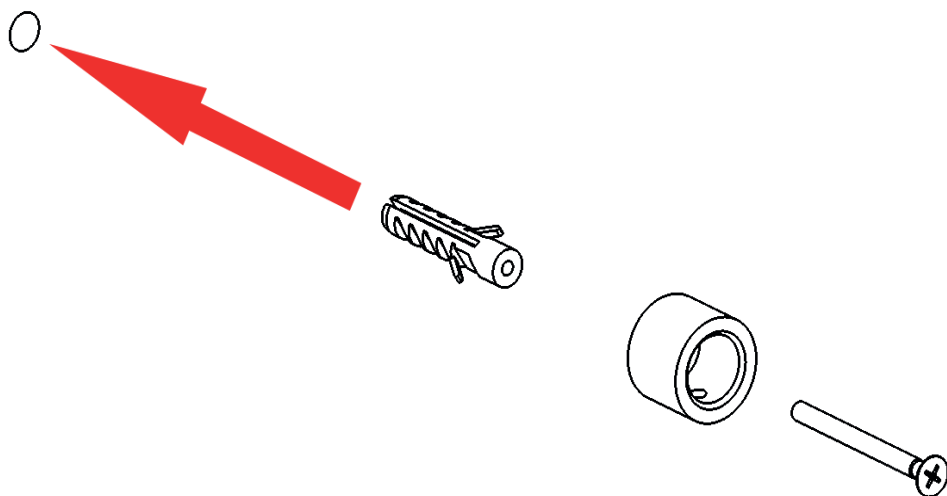
Fig. 5



**Fig. 6**



**Fig. 7**





**Fig. 8**

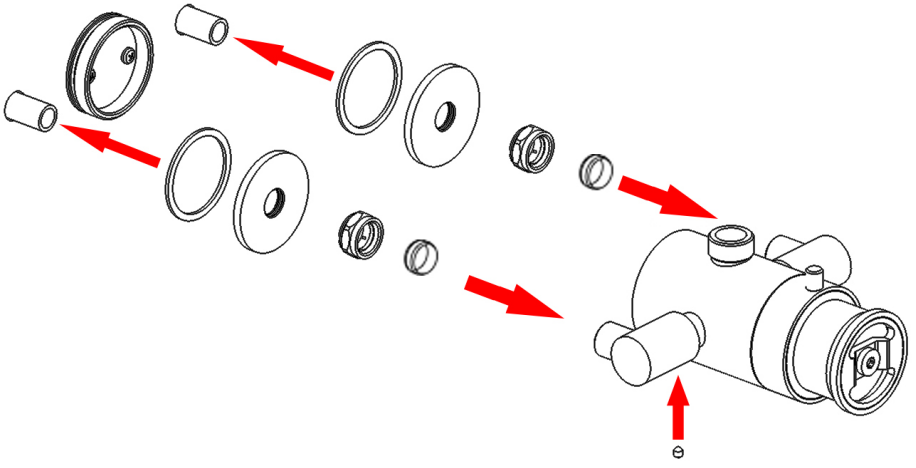


Fig. 9

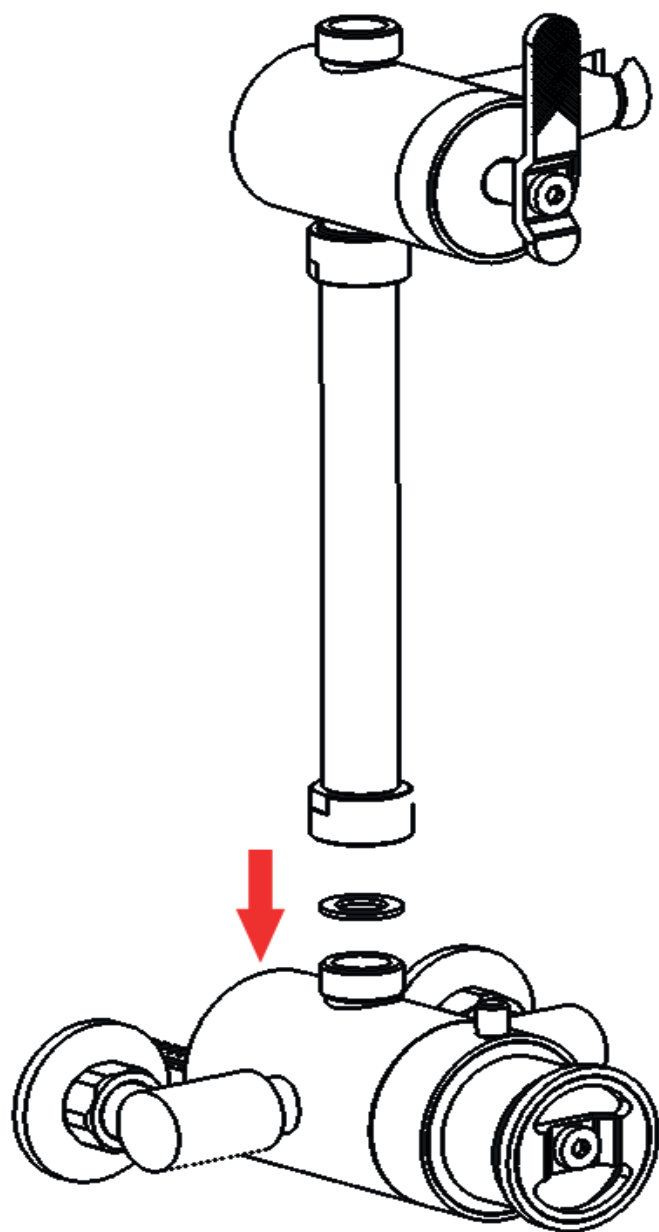


Fig. 10

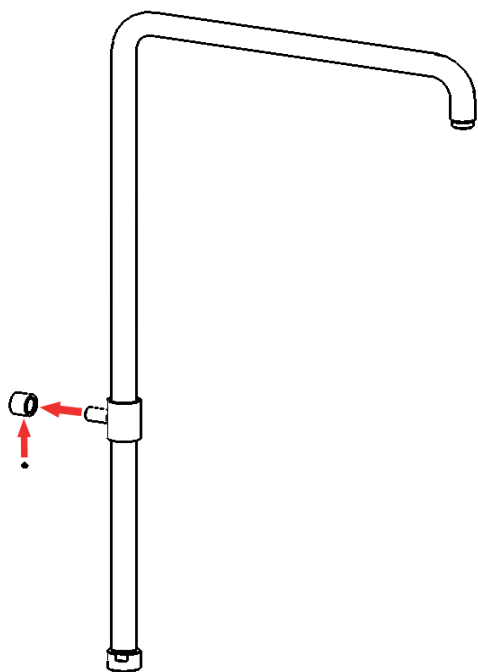


Fig. 11

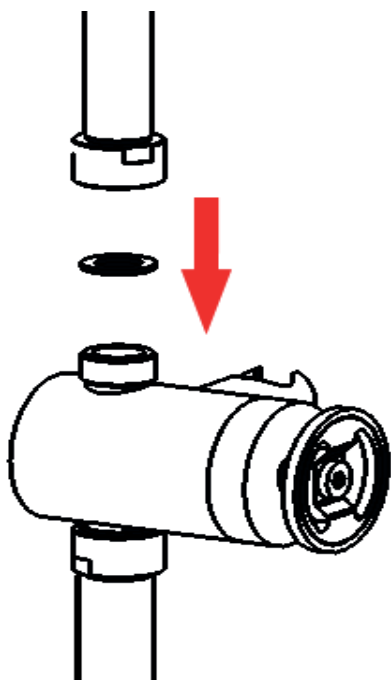
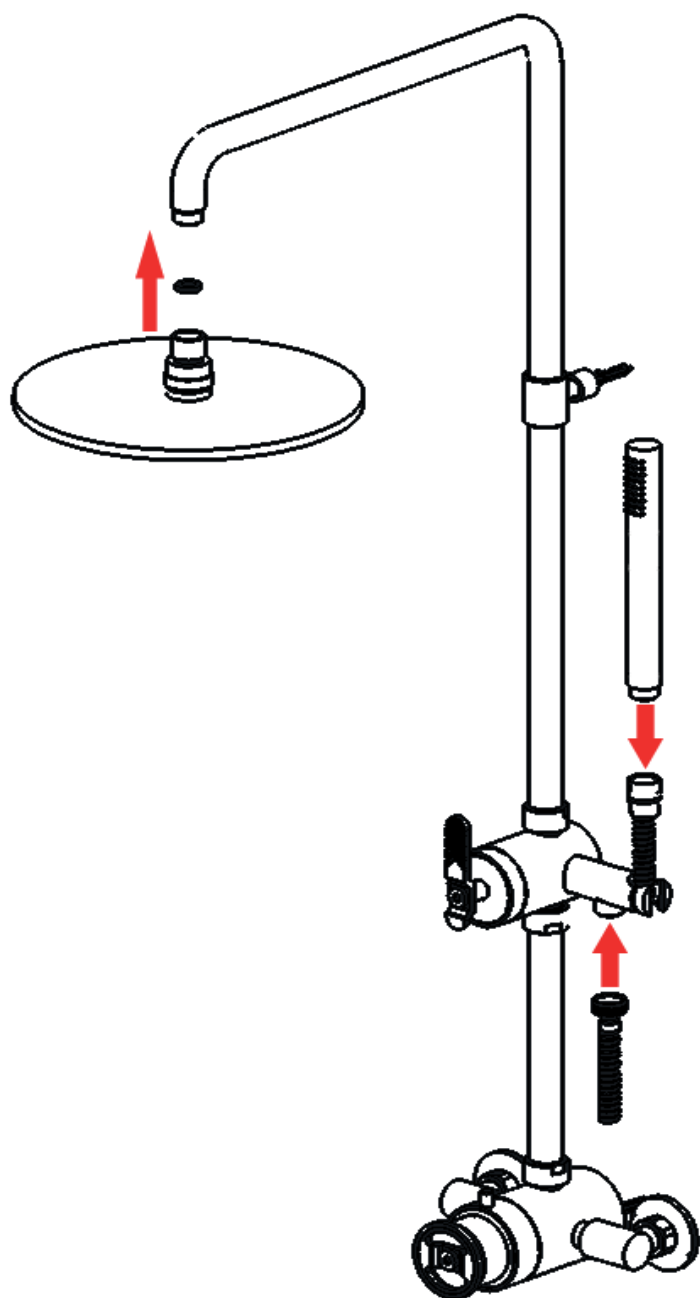


Fig. 12



### CLEANING THE CARTRIDGE

The concealed cartridge should give trouble-free service, however servicing is straightforward.

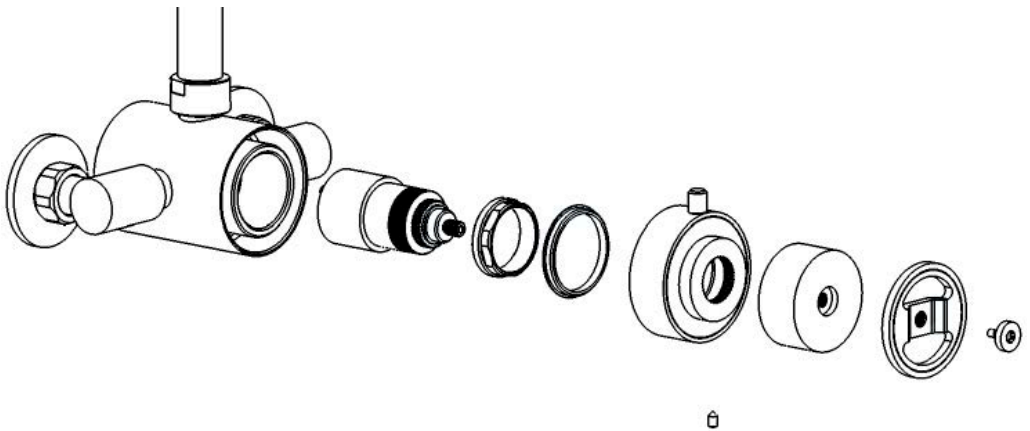
#### To remove cartridge:

Shut off the water supply to the faucet.

With the water supply turned off, carefully remove the cover cap and use a hexagonal key to loosen the screw but do not remove. Using a correct size spanner unscrew the retaining nut and remove the cartridge taking note of its orientation. Wash the cartridge with clean running water, making sure any trapped debris has been removed.

Dry and lightly grease the seal, (only use silicone grease).

Replace the cartridge followed by the nut, the cover and the handle.



## CLEANING INSTRUCTIONS

**Please see the website for care and cleaning instructions for specific finishes.**

General cleaning tips:

Rinse away any traces of soap and gently dry with a clean, soft cloth after each use.

Rinse completely with water and dry any overspray.

This will maintain the finish and avoid water spotting.

To remove mineral deposits, use a 50/50 solution of white vinegar and water.

Do not allow the solution to soak on the product.

Simichrome Polish® contains a protective film to enhance maintenance and is helpful in preventing water spot buildup. Follow instructions to ensure optimum results.

Never use an abrasive material such as a brush or scouring pad to clean the surface.

The use of abrasive cleaners, cleansers or disinfectants will alter the surface finish and void the warranty.

Do not allow certain materials such as toothpaste, cologne, shaving cream, nail polish remover, vinegar, wine, drain and glass cleaners to remain on the surface. Prolonged contact will alter surface finishes and void the warranty.

**We DO NOT recommend using any household cleaners as many can cause damage to the finish.**