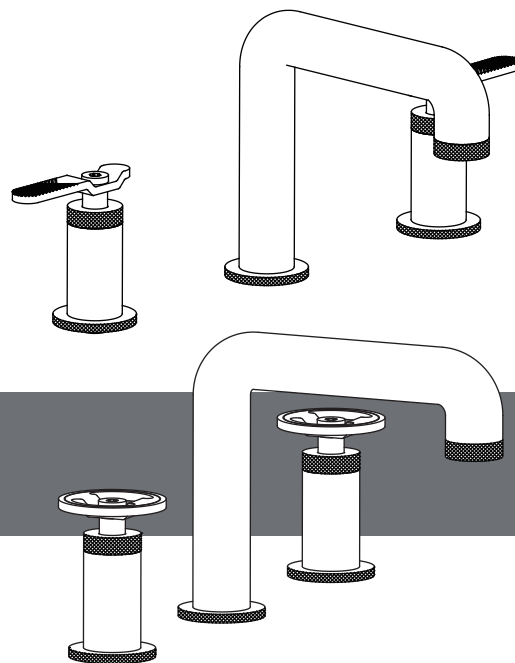


UNION Widespread Basin Faucet

US-UN135

Installation Instructions



Introduction

The faucets in this range are single flow (hot and cold water mix in the body) and should therefore be supplied with hot and cold water at balanced pressures. If the faucets are not supplied at balanced pressures then the mixer will not function correctly.

The minimum water pressure required for these faucets is 20 psi. The maximum water pressure is 60 psi beyond which pressure-reducing valves must be installed.

The faucets are fitted with quarter-turn ceramic disc cartridges which provide a good flow rate with very smooth movement.

IMPORTANT: Please read these instructions carefully before beginning installation and retain for future reference. These instructions have been prepared for guidance. Please exercise due care at all times. We do not accept responsibility for any problems that may occur through incorrect installation.

Before beginning installation, check to ensure that no damage has occurred during transport. **Note: Damage claims cannot be made during or after installation.**

Installation notes

The installation must comply with all plumbing codes including local codes and be installed by a licensed plumbing contractor.

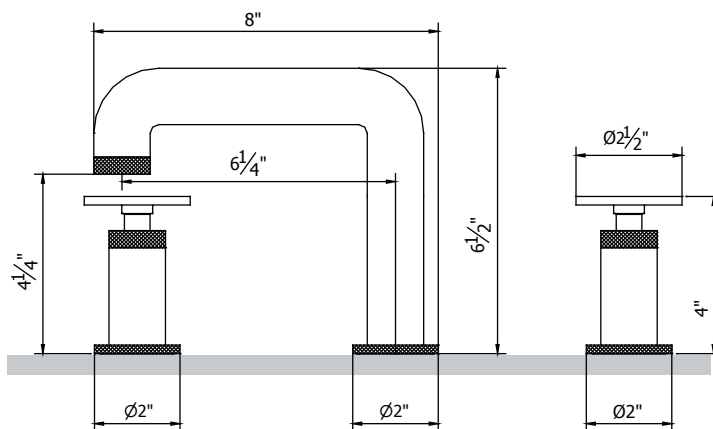
WARNING! Before installing a new faucet it is essential that the supply pipes are thoroughly flushed in order to remove any remaining debris, solder or other impurities. Failure to carry out this simple procedure can cause problems or damage to the working of the faucet.

Installing shut-off valves on incoming supply lines is recommended for ease of maintenance.

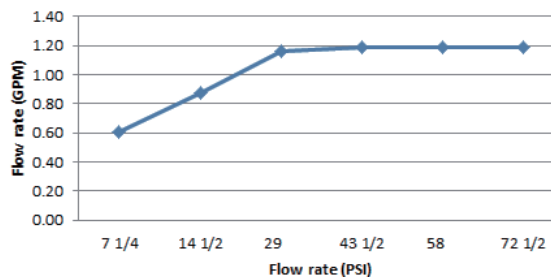
Turn off the main water supply before connecting to any existing pipework or doing any maintenance.

WARNING! Please check for any hidden pipes and cables, electric or otherwise, before drilling holes in a wall or floor.

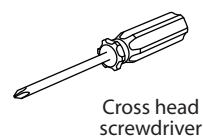
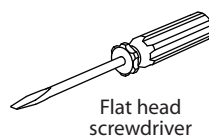
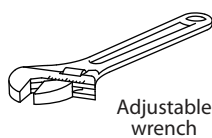
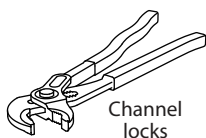
Dimensions



Flow rate



Tools required



1 Installation

- Shut off the water heating system, then with the main water supply turned off, open the lowest hot and cold faucets and allow to drain until the pipes are empty.

Spout

- Screw the flexible hoses into the spout and fully handtighten. **DO NOT OVERTIGHTEN!** The hot water should be connected to the left inlet when the faucet is viewed from the front.
- Pass the flexible hoses and threaded stud through the center hole in the basin or counter and place the spout into position.
- Slide the black washer and the retaining plate up the flexible hoses and secure with the screws, fingertighten.
- Check that the faucet is positioned correctly and tighten the fixing nut. The faucet needs to be fixed firmly but do not overtighten as damage may be caused to the basin or counter.

Valve bodies

- Valve bodies must be fitted from the underside of the basin/counter without the flanges fitted making sure that the black nuts and washers are already screwed onto the valve body threads.
- The outlets of both valve bodies must be aligned so that the flexible pipes can supply water to the spout.
- Once the alignment is correct, the black nuts can be tightened to allow the collars to be fitted from above to secure the valve body.
- Connect the valve bodies to the spout using the flexible hoses.
- Place the handle on to the cartridge spline and secure using a hexagonal key.
- The **hot** (to the left) and **cold** (to the right) water supplies can now be connected to the 1/2-14" NPSM valve body using the compression fittings and washers supplied.

ATTENTION: Check all new connections for leaks.

- Turn on the main water supply, close all faucets except the new mixer and as the system refills, check for leaks.
- Once satisfied there are no leaks, switch on the heating system.

2 Maintenance

Cleaning the cartridge

- The concealed cartridge should give trouble-free service however servicing is a straightforward process.

To remove the cartridge

- With the water supply **turned off**, carefully remove the handle and using a hexagonal key loosen the screw.
- Pull off the handle and unscrew the collar.
- Using a 7/8" wrench, unscrew and remove the cartridge.
- Wash the cartridge with clean running water, dry and lightly grease the seal, (only use silicone grease).
- Replace the cartridge followed by the collar and handle.

Cleaning Instructions

Please see the website for care and cleaning instructions for specific finishes.

General cleaning tips:

Rinse away any traces of soap and gently dry with a clean, soft cloth after each use. Rinse completely with water and dry any overspray.

This will maintain the finish and avoid water spotting.

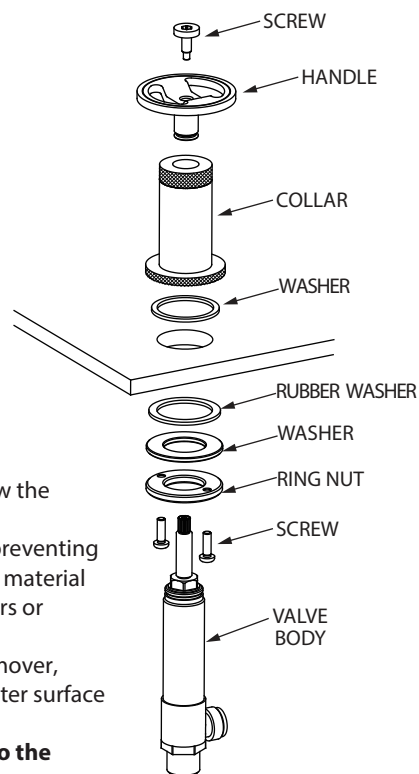
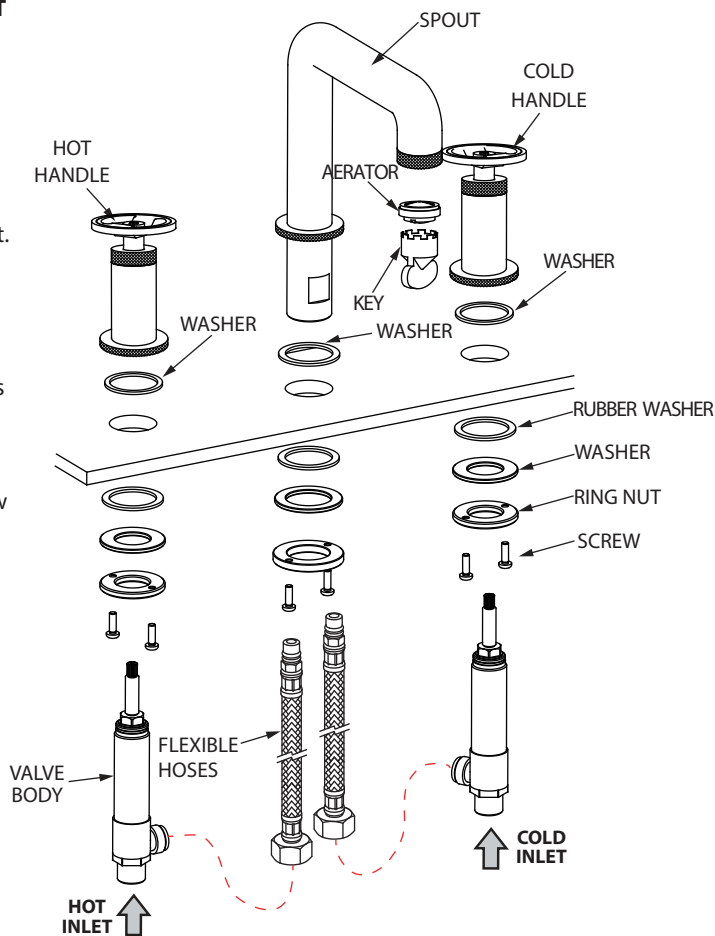
To remove mineral deposits, use a 50/50 solution of white vinegar and water. Do not allow the solution to soak on the product.

Simichrome Polish® contains a protective film to enhance maintenance and is helpful in preventing water spot buildup. Follow instructions to ensure optimum results. Never use an abrasive material such as a brush or scouring pad to clean the surface. The use of abrasive cleaners, cleansers or disinfectants will alter the surface finish and void the warranty.

Do not allow certain materials such as toothpaste, cologne, shaving cream, nail polish remover, vinegar, wine, drain and glass cleaners to remain on the surface. Prolonged contact will alter surface finishes and void the warranty.

We DO NOT recommend using any household cleaners as many can cause damage to the finish.

For illustration purposes, round handles are shown.



Warranty - This Crosswater London product is covered by a limited lifetime warranty. For full details, terms and conditions please visit our website.

For further information contact: **Crosswater London**, 393 Fortune Blvd., Milford, MA 01757

Toll free number: 844-XWATER-1 (844-992-8371) tel: 508-381-0433 fax: 508-381-6068

www.crosswaterlondon.com

email: technical@crosswaterlondon.com