

Volume Control Rough  
VC-RGH

## Installation Instructions



For ease of installation, you will need:

- To read the installation instructions completely before beginning.
- To read all warnings, care, and maintenance information.

Before beginning installation, check for any damage that may have occurred during transport.  
**Note: Damage claims cannot be made during or after installation.**

**Installation Instructions**

**1**

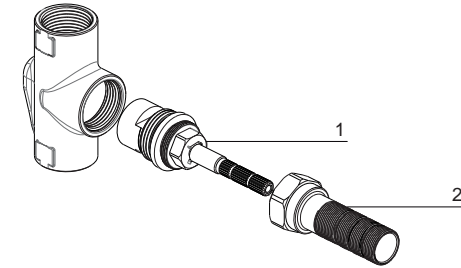
Position valve according to measurements noted in image

**2**

Install the valve with proper fitting . Support as noted in image. Turn on water supply and inspect for leaks.

**Replacement Parts**

No.	Description	Part No.
1	Cartridge	5D0M0139NT
1	Threaded Nipple	5J0C1029NT

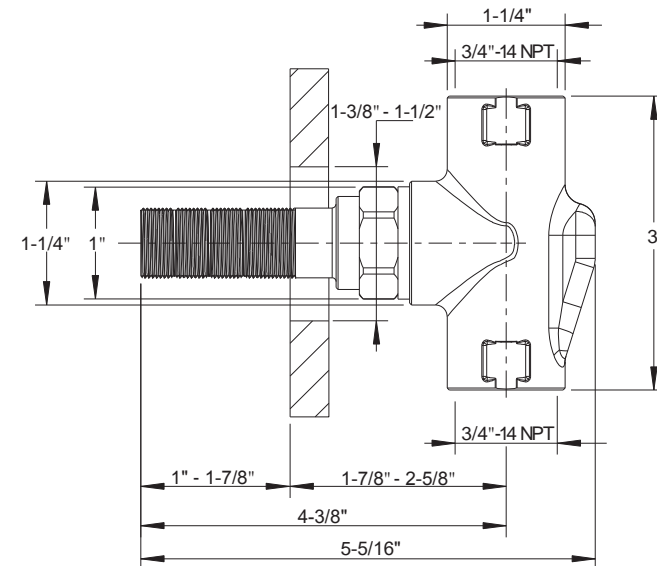


**Applicable Standards/Codes**

- IAPMO certified to meet or exceed the following:
- ASME A112.18.1/CSA B125.1
  - Uniform Plumbing Code
  - National Plumbing Code of Canada



**Installation Dimensions**



**Warranty** - This **Crosswater London** product is covered by a limited lifetime warranty. For full details, terms and conditions visit our website.

For further information contact: **Crosswater London**, 393 Fortune Blvd., Milford, MA 01757  
Toll free number: 844-XWATER-1 (844-992-8371) tel: 508-381-0433 fax: 508-381-6068

[www.crosswaterlondon.com](http://www.crosswaterlondon.com)  
email: [technical@crosswaterlondon.com](mailto:technical@crosswaterlondon.com)