

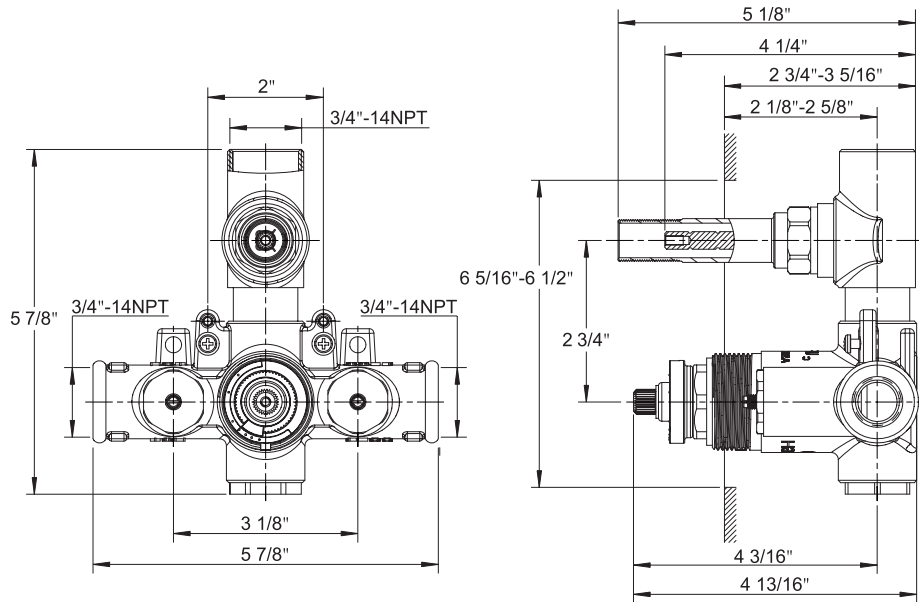
Applicable Standards/Codes

IAPMO certified to meet or exceed the following:

- ASME A112.18.1/CSA B125.1
- Uniform Plumbing Code
- National Plumbing Code of Canada
- ASSE 1016



Installation Dimensions



Thermostatic Valve Rough
TH1-RGH

Installation Instructions



Warranty-This Crosswater London product is covered by a limited lifetime warranty. For full details, terms and conditions please visit our website. For further information contact: **Crosswater London**, 393 Fortune Blvd., Milford, MA 01757 www.crosswaterlondon.com
Toll free number: 844-XWATER-1 (844-992-8371) tel: 508-381-0433 fax: 508-381-6068 email: technical@crosswaterlondon.com

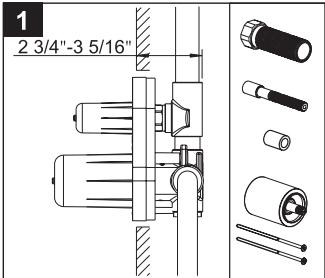
For easy installation of your faucet you will need:

- To read all the installation completely before beginning.
- To read all warnings, care, and maintenance information.

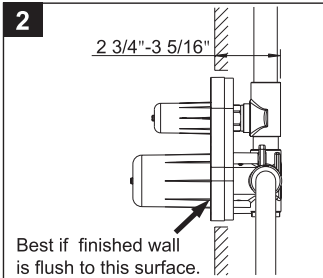
Before beginning installation, check for any damage that may have occurred during transport. **Note: Damage claims cannot be made during or after installation.**



Installation Instructions

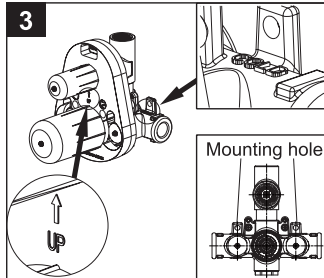


This valve is designed to fit into a wall that is 2 3/4" to 3 5/16" from finished wall to the back of the valve. If necessary extensions can be purchased separately.

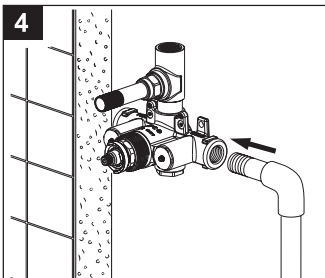


Best if finished wall is flush to this surface.

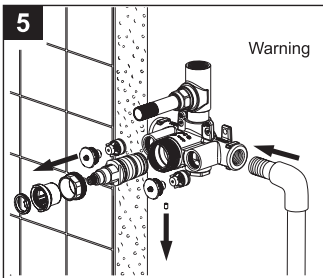
Turn off the water supplies. Install the valve so the finished wall will fit between the markers on the mud guard.



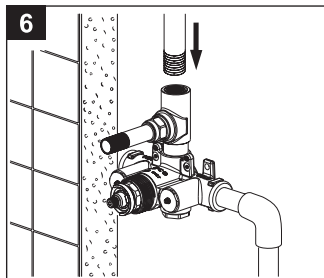
Using mounting holes secure the valve making sure the "UP" label outlet is on top. Facing the valve, the hot supply must be on the left and the cold on the right.



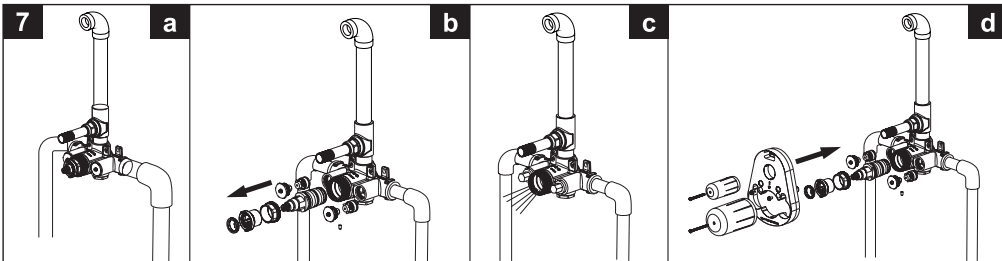
Connect valve body 3/4-NPT inlets to water supplies using the proper fittings. Warning: This valve does not offer a back-to-back installation option.



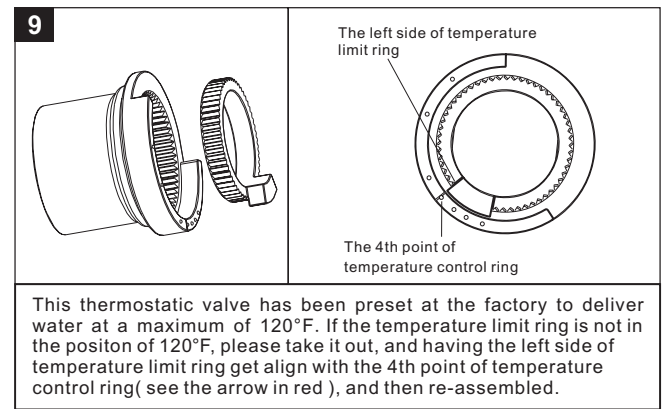
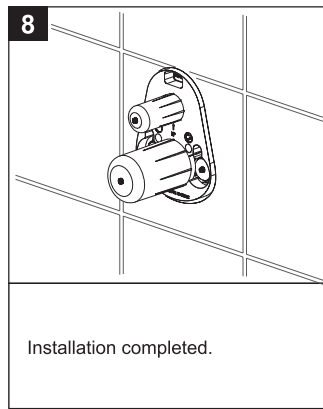
Warning: If soldering is required for any connection remove the cartridge and check valve assemblies before soldering.



Connect top outlet with proper fittings. Note: it is suggested that you anchor all water lines.



1. Pressure test and flush the valve.
a. Pressure test, check for leaks.
b. Prior to flushing, remove cartridge and check valve assemblies.
c. Flush the system.
d. Remove outlet plug. Re-install the cartridge and check valve assemblies.
2. Check for leaks.



This thermostatic valve has been preset at the factory to deliver water at a maximum of 120°F. If the temperature limit ring is not in the position of 120°F, please take it out, and having the left side of temperature limit ring get align with the 4th point of temperature control ring(see the arrow in red), and then re-assembled.

Replacement Parts

NO.	Description	Part NO.
1	Extension kit	9Q242000
2	Volume Control Cartridge	5K217302NT
3	Volume Control Nipple	5K217366NT
4	Check valve	5K013107PL
5	Thermostatic Cartridge	5K205117PL
6	Temperature control rings	5K202720PL

