

Deck-mount Tub Faucet Rough for  
11-02-T and 14-02-T Trims  
DT-R-RGH

**Installation Instructions**



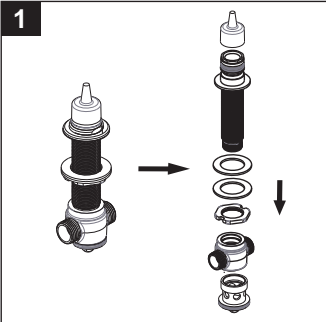
For ease of installation you will need:

- To read the installation instructions completely before beginning.
- To read all warnings, care, and maintenance information.

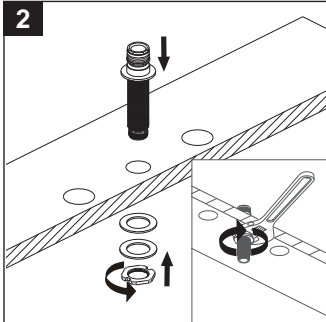
Before beginning installation, check for any damage that may have occurred during transport.

**Note: Damage claims cannot be made during or after installation.**

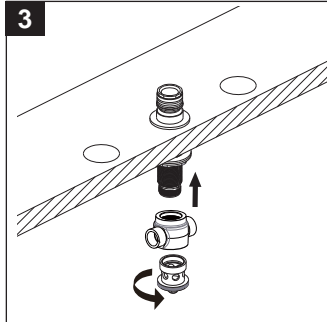
**Installation Instructions**



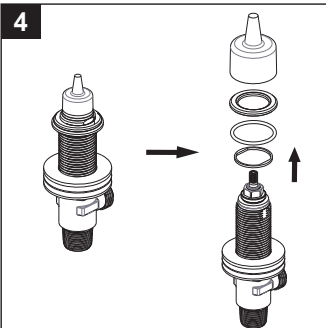
1 Remove the mud guard from the spout assembly and unthread the tee.



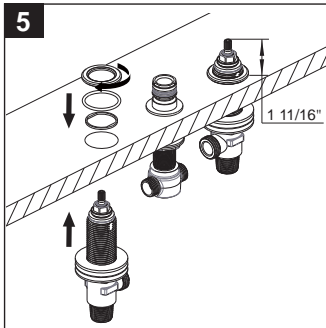
2 Slide the spout nipple down into the spout hole and secure by threading on the washer and nut.



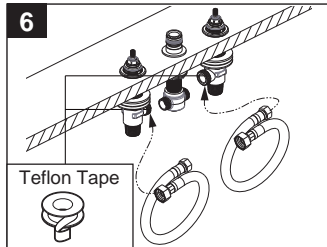
3 Re-attach the Tee to the spout nipple.



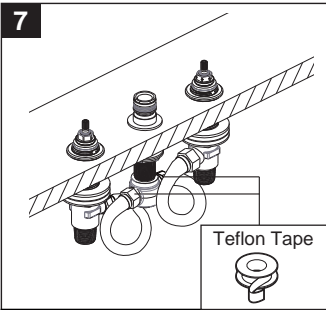
4 Remove the mud guards from the hot and cold valves.



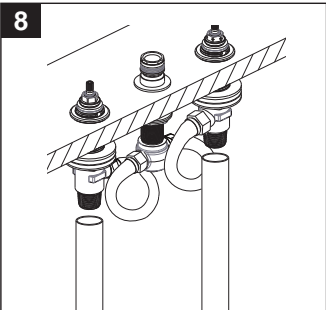
5 Push the hot and cold valves up from the bottom and thread on the valve nuts from the top to secure the valves



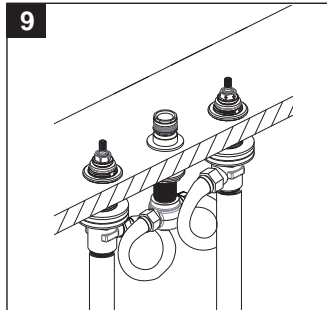
6 Apply teflon tape to the hot and cold valve outlets and attach flex lines. If you have set the hot and cold valves more than 12" from the spout nipple assembly, please supply a code approved supply line and attach as noted in steps 5 and 6.



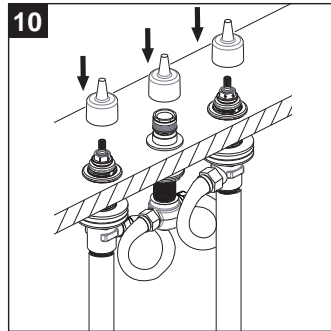
7 Apply teflon tape to the hot and cold valve inlets on the spout nipple assembly and attach the hot and cold flex lines.



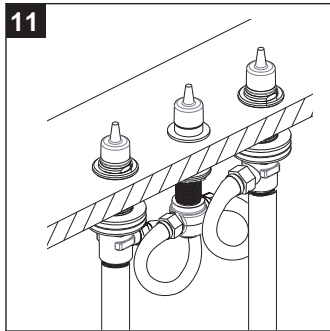
8 Connect valves to water supplies using the proper fittings.



9 Turn on water supply and check for leaks.



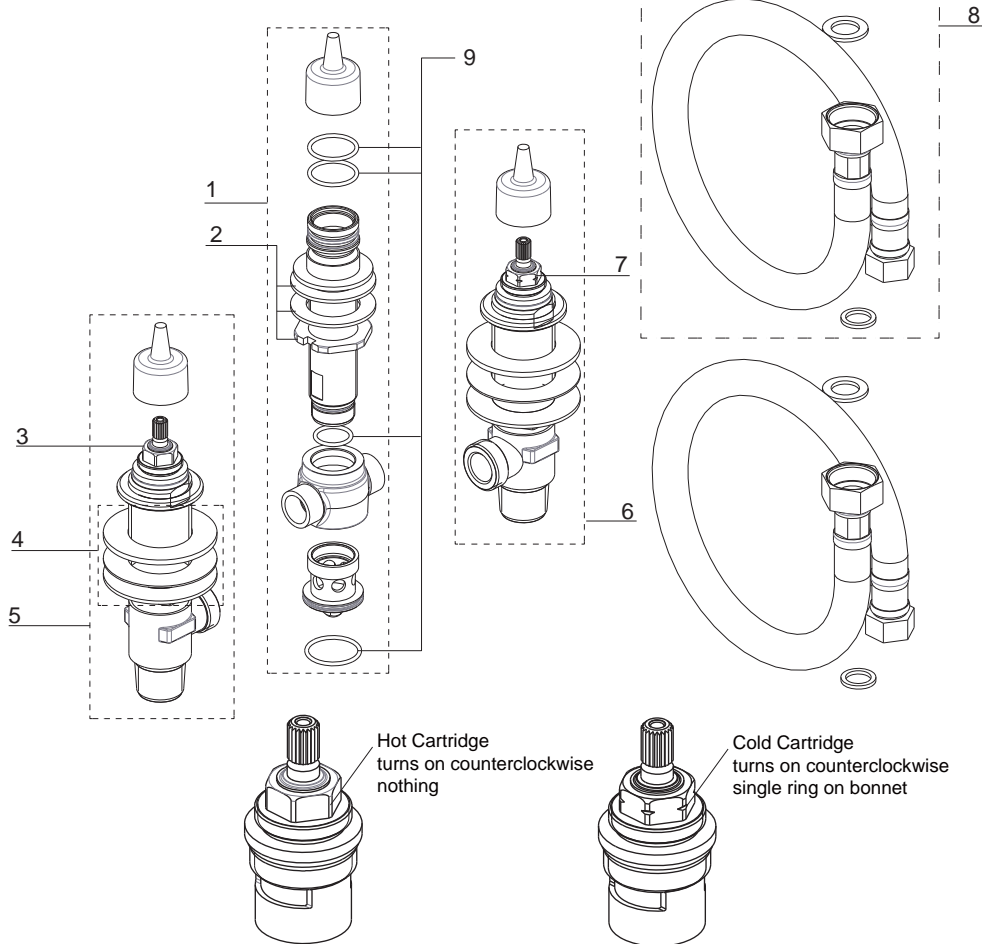
10  
Replace mud guards.



11  
Installation completed.

**Replacement Parts**

NO.	Description	Part No.
1	spout nipple and tee assembly	9Q1185NT
2	Spout Mounting Hardware	9Q1149NT
3	Cartridge(Hot)	51014109NT
4	Mounting Hardware for valves	9Q1151NT
5	Hot Valve Body Assembly	51014115CC
6	Cold Valve Body Assembly	51014107CC
7	Cartridge(Cold)	51014116NT
8	Flex Lines(19 11/16")	9Q1148PL
9	Spout O-rings	9Q1351PL



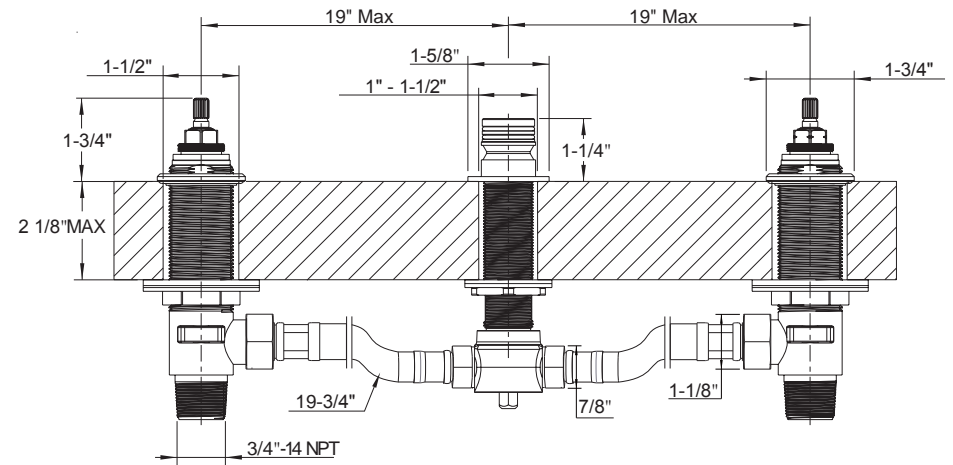
**Applicable Standards/Codes**

IAPMO certified to meet or exceed the following:

- ASME A112.18.1/CSA B125.1
- Uniform Plumbing Code
- National Plumbing Code of Canada



**Installation Dimensions**



**Warranty** - This **Crosswater London** product is covered by a limited lifetime warranty. For full details, terms and conditions please visit our website.

For further information contact: **Crosswater London**, 393 Fortune Blvd., Milford, MA 01757

Toll free number: 844-XWATER-1 (844-992-8371) tel: 508-381-0433 fax: 508-381-6068

[www.crosswaterlondon.com](http://www.crosswaterlondon.com)

email: [technical@crosswaterlondon.com](mailto:technical@crosswaterlondon.com)