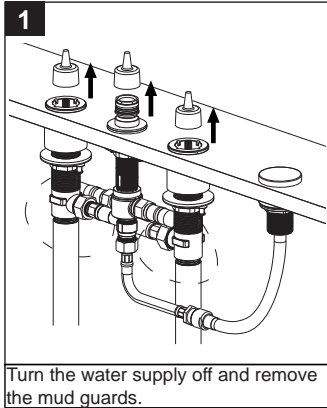
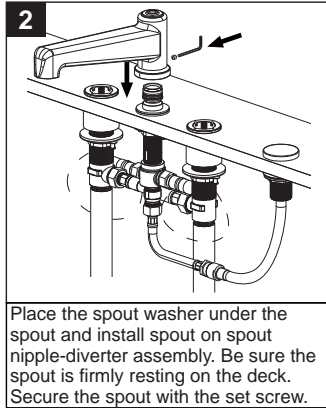


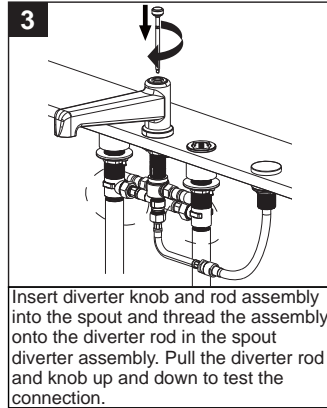
Installation Instructions



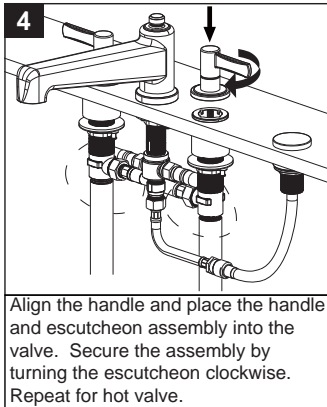
Turn the water supply off and remove the mud guards.



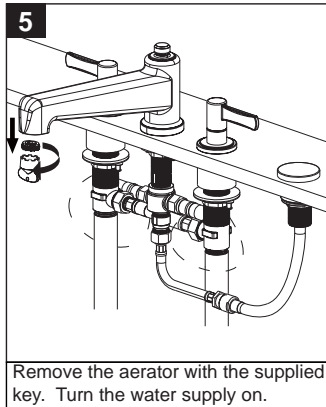
Place the spout washer under the spout and install spout on spout nipple-diverter assembly. Be sure the spout is firmly resting on the deck. Secure the spout with the set screw.



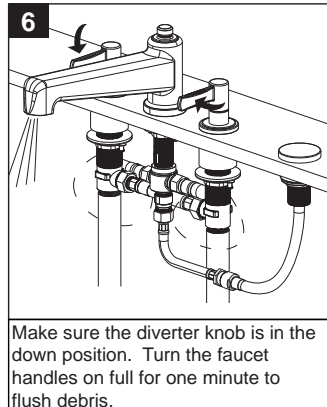
Insert diverter knob and rod assembly into the spout and thread the assembly onto the diverter rod in the spout diverter assembly. Pull the diverter rod and knob up and down to test the connection.



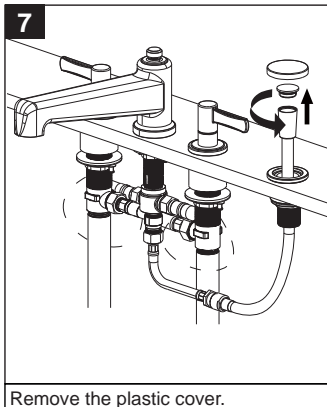
Align the handle and place the handle and escutcheon assembly into the valve. Secure the assembly by turning the escutcheon clockwise. Repeat for hot valve.



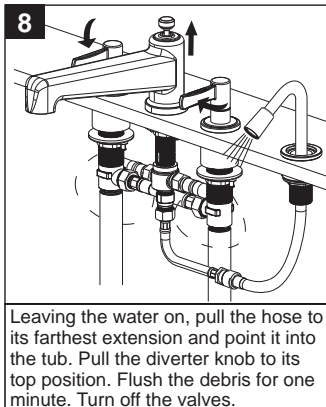
Remove the aerator with the supplied key. Turn the water supply on.



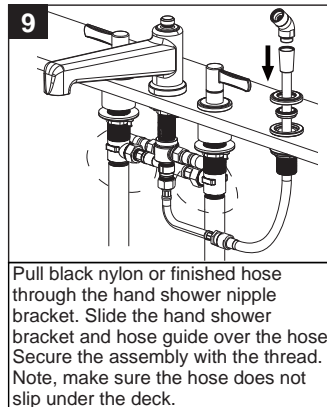
Make sure the diverter knob is in the down position. Turn the faucet handles on full for one minute to flush debris.



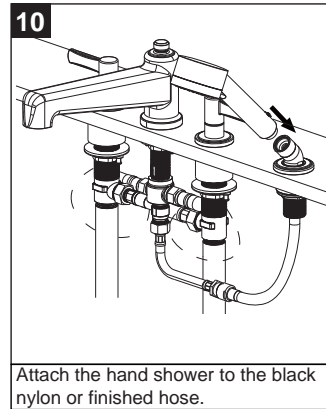
Remove the plastic cover.



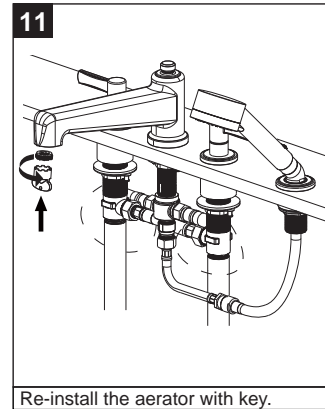
Leaving the water on, pull the hose to its farthest extension and point it into the tub. Pull the diverter knob to its top position. Flush the debris for one minute. Turn off the valves.



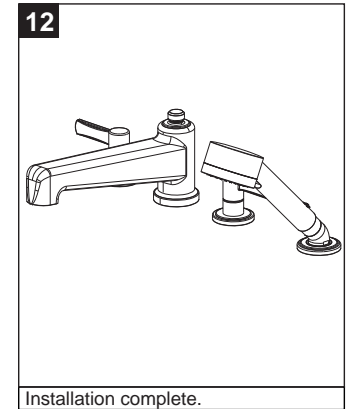
Pull black nylon or finished hose through the hand shower nipple bracket. Slide the hand shower bracket and hose guide over the hose. Secure the assembly with the thread. Note, make sure the hose does not slip under the deck.



Attach the hand shower to the black nylon or finished hose.



Re-install the aerator with key.



Installation complete.

Replacement Parts

NO.	Description	Part No.
1	Handle Assembly	9Q248800
2	Washer, Key & Aerator	9Q1110PL
3	Set Screw & Allen Key	9Q1350NT
4	Handshower	15-37 1.75 GPM 15-38 2.0 GPM
5	Diverter Knob & Rod Assembly	9Q248000

