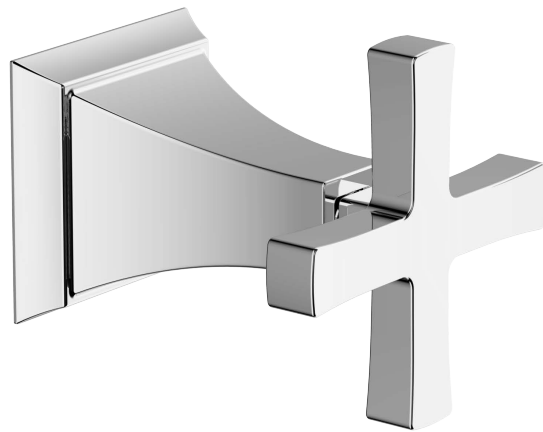


crosswater^x

LONDON

Leyden Volume Control and Diverter Trim
14X-17-T

Installation Instructions



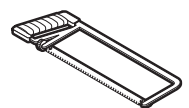
Tools You Will Need



Adjustable Wrench



Adjustable Pliers



Hacksaw

For ease of installation you will need:

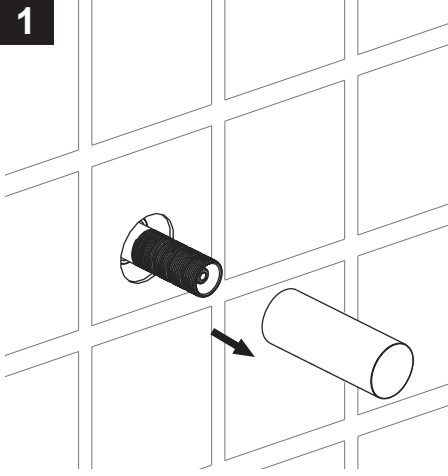
- To read the installation instructions completely before beginning.
- To read all warnings, care, and maintenance information.
- To complete the valve rough-in prior to installing this trim kit.

Before beginning installation, check for any damage that may have occurred during transport.
Note: Damage claims cannot be made during or after installation.

Note: For illustration purposes, lever handle version is shown.
Please refer to page 4 for instructions on how to remove the lever handle and install the cross handle.

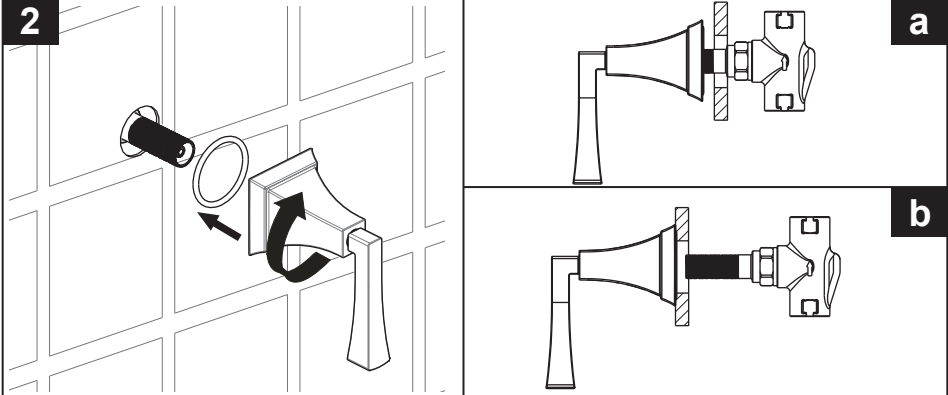
Installation Instructions

1



Turn the water off. Remove the mud guard.

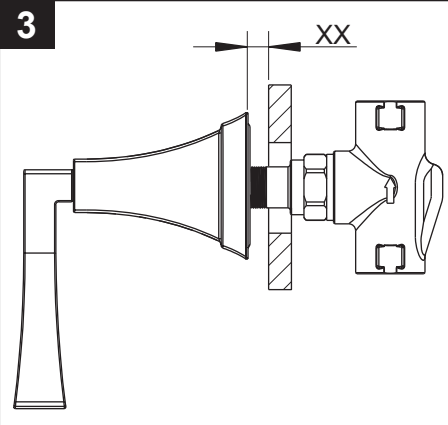
2



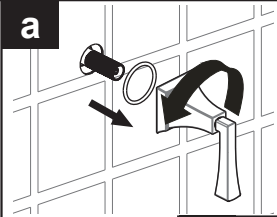
Place the "O" ring over the stem and nipple assembly. Align the handle (see page 4 first) and place the handle and escutcheon assembly into the valve. Secure the assembly by turning the escutcheon clockwise.

a. If the escutcheon will not firmly secure to the wall please go to step #3.
b. If the handle will not engage the stem, please to step #4.

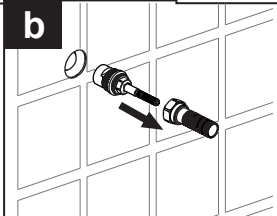
3



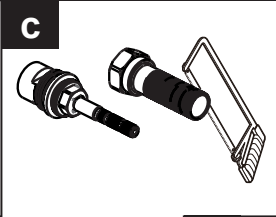
a



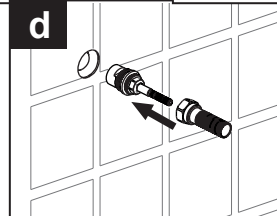
b




c



d



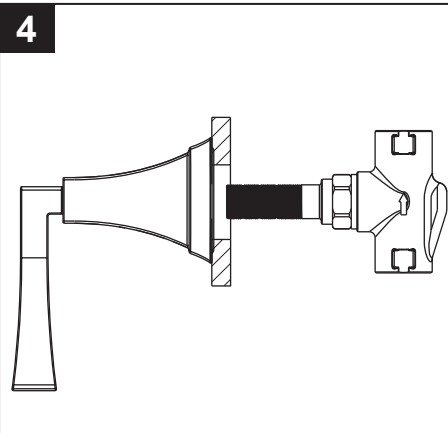
e



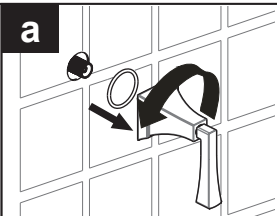
Note the measurement between the finished wall and the bottom of the escutcheon.

a. Remove the handle and escutcheon assembly. b. Remove the stem and threaded nipple.
c. Cut the stem and threaded nipple the amount noted in step #4. d. Reinstall the stem and threaded nipple.
e. Reinstall the handle and escutcheon as in step #3. Then turn on the water and go to step #5.

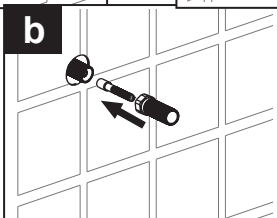
4



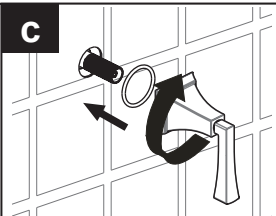
a



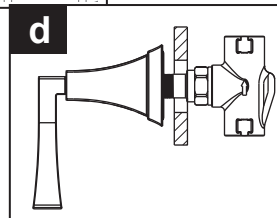
b



c

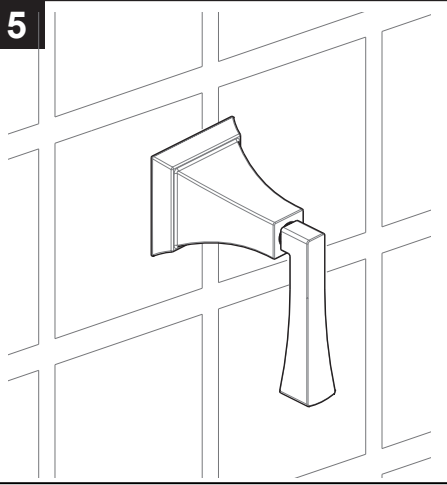


d



If the handle will not engage the stem, then:

a. Remove the handle and escutcheon assembly. b. Install the extended stem and nipple supplied with the trim.
c. Reinstall the handle and escutcheon as in step #2.
d. If the escutcheon will not firmly secure to the wall please go to step #3.

5

Installation complete.

Cleaning Instructions

Rinse away any traces of soap and gently dry with a clean, soft cloth after each use. Rinse completely with water and dry any overspray. This will maintain the finish and avoid water spotting.

To remove mineral deposits, use a 50/50 solution of white vinegar and water. Do not allow the solution to soak on the product. Simichrome Polish® contains a protective film to enhance maintenance and is helpful in preventing water spot buildup. Follow instructions to ensure optimum results.

Never use an abrasive material such as a brush or scouring pad to clean the surface. The use of abrasive cleaners, cleansers or disinfectants will alter the surface finish and void the warranty.

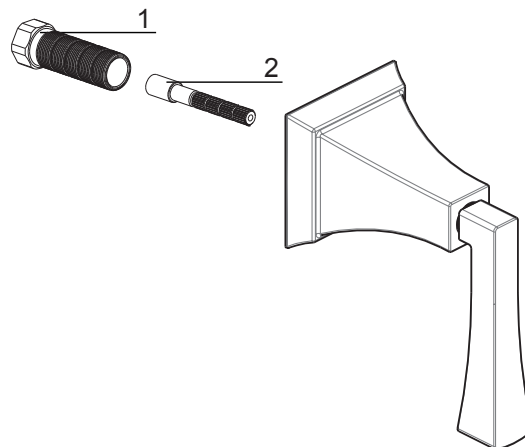
Do not allow certain materials such as toothpaste, cologne, shaving cream, nail polish remover, vinegar, wine, drain and glass cleaners to remain on the surface. Prolonged contact will alter surface finishes and void the warranty.

We DO NOT recommend using any household cleaners as many can cause damage to the finish.

Please see the website for care instructions for specific finishes.

Replacement Parts

NO.	Description	Part No.
1	Threaded Nipple	5T1C0319NT
2	Stem	5P0C0582NT



Warranty: This **Crosswater London** product is covered by a limited lifetime warranty. For full details, terms and conditions please visit our website.

For further information contact: **Crosswater London**, 393 Fortune Blvd., Milford, MA 01757

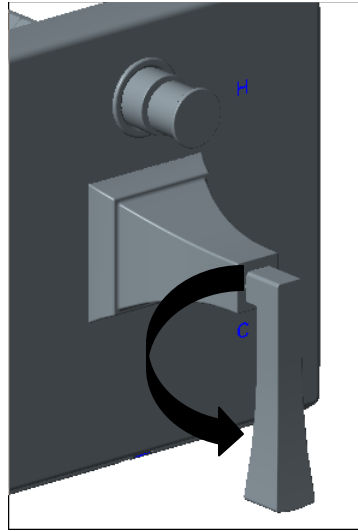
Toll free number: 844-XWATER-1 (844-992-8371) tel: 508-381-0433 fax: 508-381-6068

www.crosswaterlondon.com

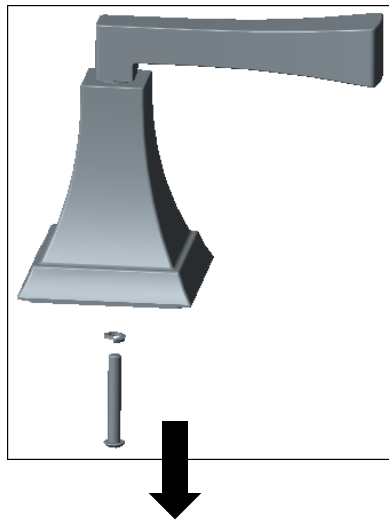
email: technical@crosswaterlondon.com

Leyden Cross Handle Installation Instructions

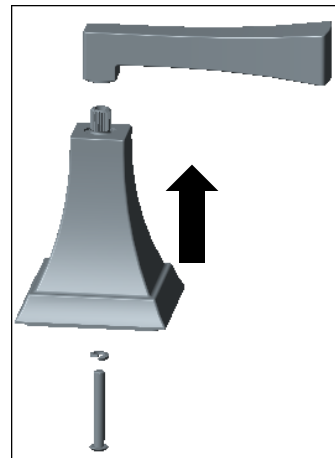
14X-14P-T, 14X-14-T, 14X-15-T, 14X-15P-T, 14X-17-T



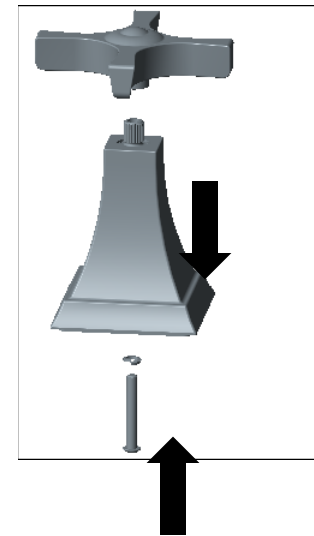
1. Hold the handle escutcheon and turn it counterclockwise to remove



2. Take out the screw and lock washer with a Phillips screwdriver



3. Remove the lever



4. Replace with cross handle and re-install the screw and washer