

# crosswater<sup>x</sup>

LONDON

Leyden Pressure-balance Shower Set Trim  
14X-15-T

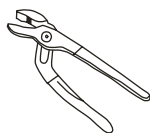
## Installation Instructions



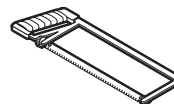
### Tools You Will Need



Adjustable Wrench



Adjustable Pliers



Hacksaw



Teflon Tape



Screwdriver

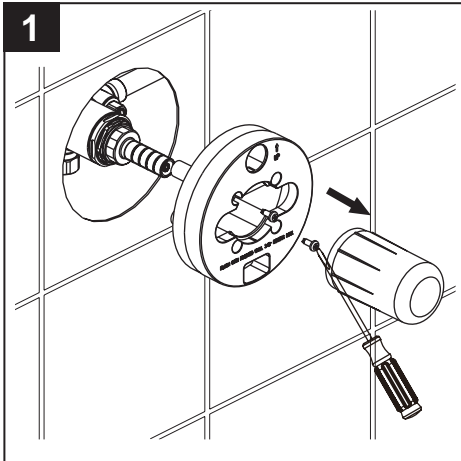
For ease of installation you will need:

- To read the installation instructions completely before beginning.
- To read all warnings, care, and maintenance information.
- To complete the valve rough-in prior to installing this trim kit.

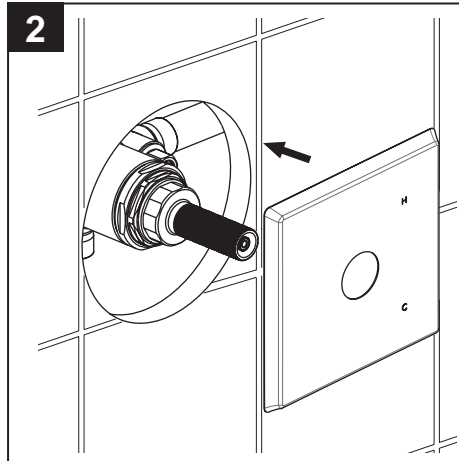
Before beginning installation, check for any damage that may have occurred during transport.  
**Note: Damage claims cannot be made during or after installation.**

Note: For illustration purposes, lever handle version is shown.  
Please refer to page 5 for instructions on how to remove the lever handle and install the cross handle.

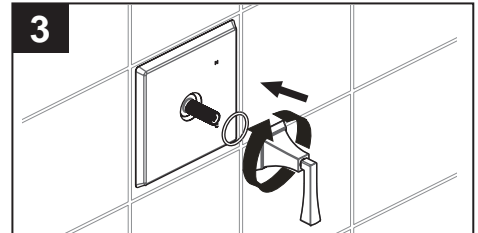
### Installation Instructions



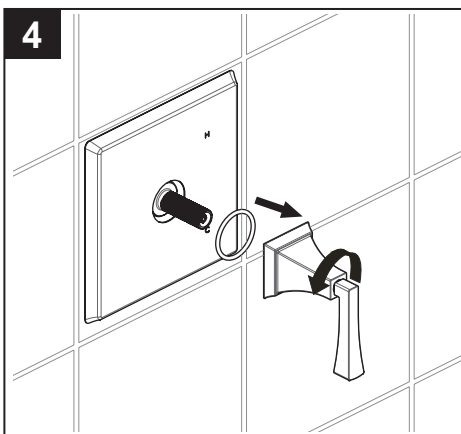
Remove the mud guard.



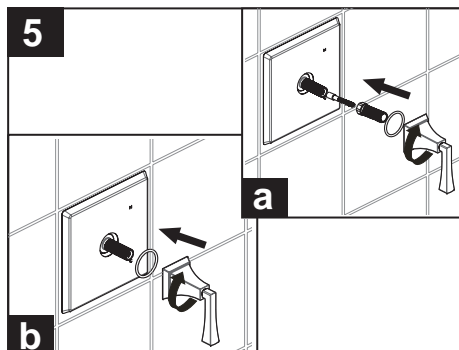
Carefully slide the escutcheon on valve.



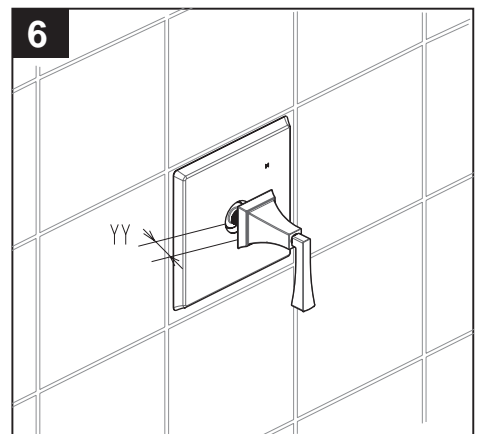
Place the handle assembly on the valve and rotate clockwise securing the handle assembly and escutcheon to the wall and engaging the stem (see page 5 first)..  
#10. If all functions smoothly go to step #10.  
- If the handle assembly will not engage the stem, go to step #4.  
- If the handle assembly will not bottom out on the escutcheon go to step #6.



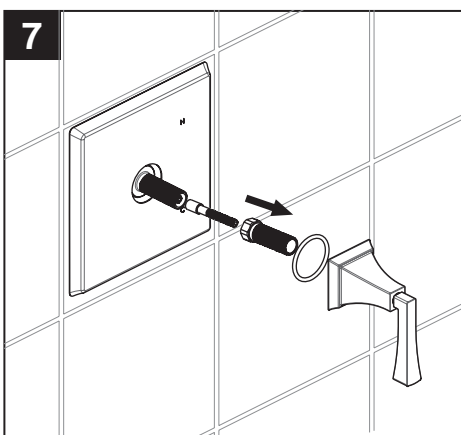
If the handle assembly will not engage the stem, remove the handle assembly.



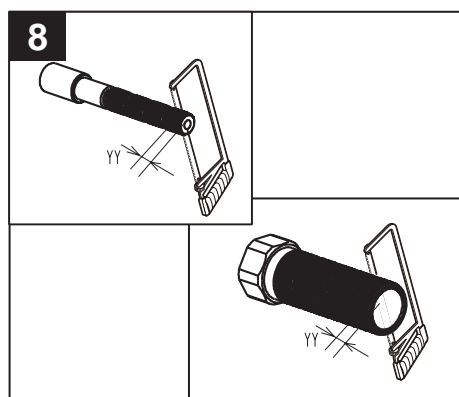
a.) Add the threaded nipple and pressure balance stem extensions.  
b.) Attach handle assembly.  
c) If all functions smoothly go to step #10. If the handle assembly will not bottom out on the escutcheon go to step #6.



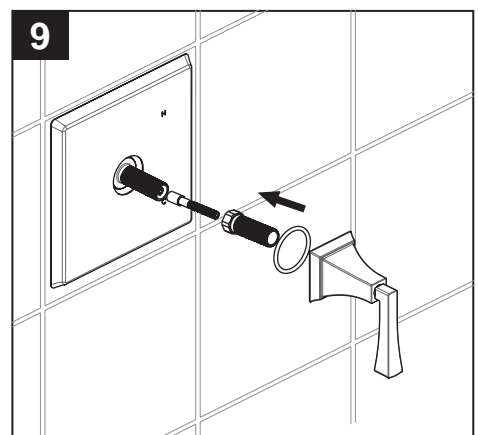
Measure and note the distance 'YY' (the distance between the bottom of the handle assembly and the escutcheon).



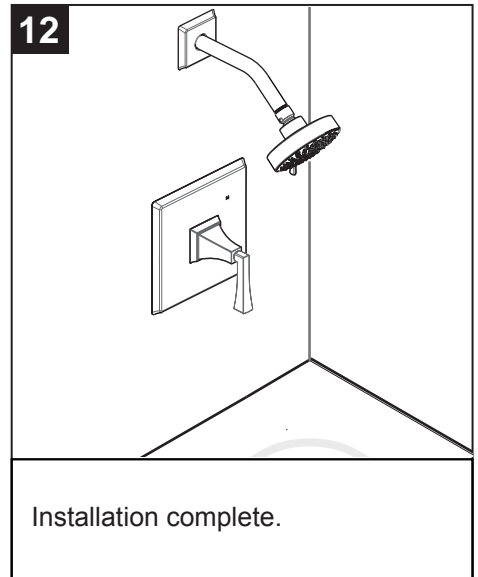
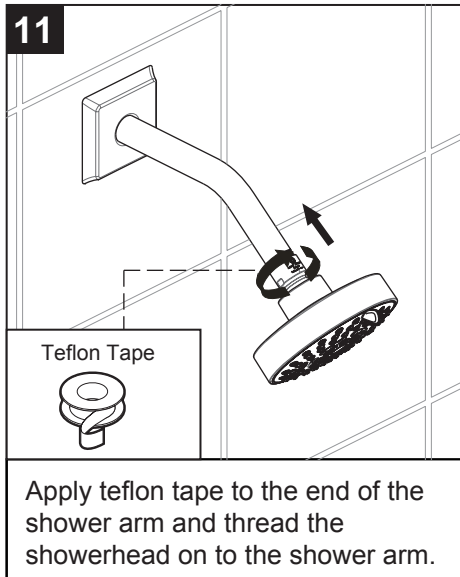
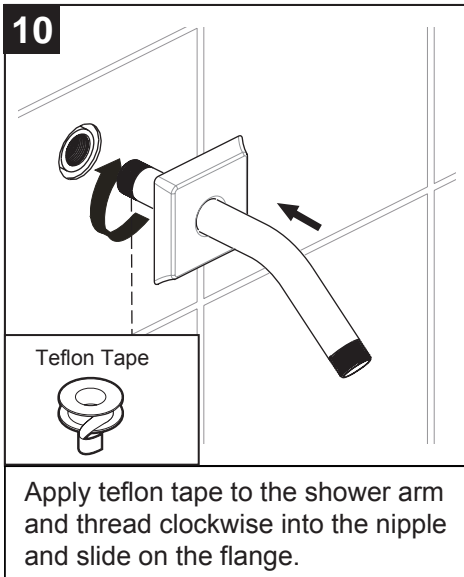
Remove the handle assembly and nipple and stem extensions.



Cut stem and nipple extensions the amount noted in step # 6. (Never cut the stem and nipple while still on the valve. This may damage the valve.)



Re-install the nipple and stem extension and handle assembly.

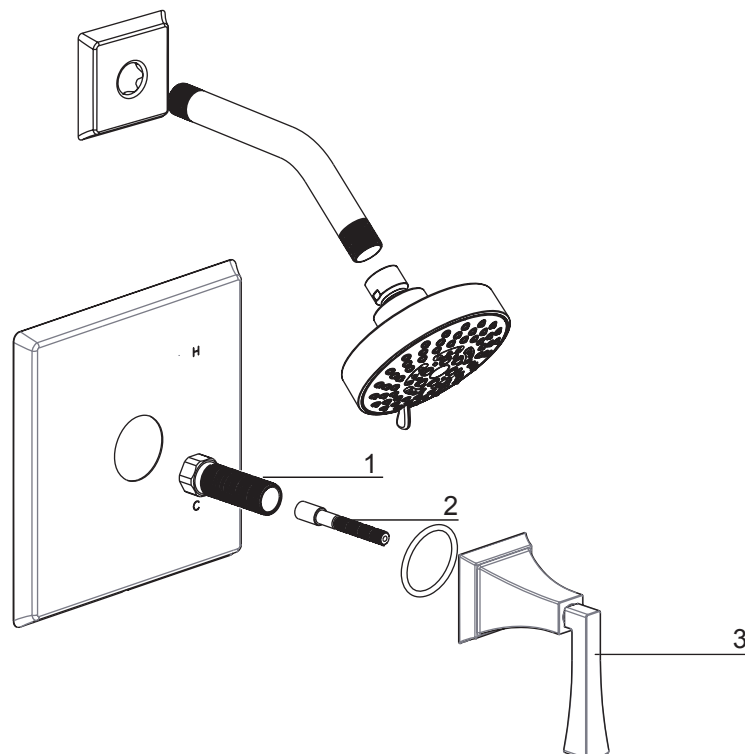


## Cleaning Instructions

- Only use a soft, dampened sponge or cloth to clean and polish the fixture.
- Wipe fixtures and the immediate areas clean and rinse completely with water immediately after installation and after applying any cleaner.
- If you are using a cleaning compound on or close to the product, please test the compound on a hidden area of the trim to ensure it will not damage the finish.
- Do not allow cleaners to soak anywhere on the product.

## Replacement Parts

NO.	Description	Part No.
1	Threaded Nipple Extension	5T1C0319NT
2	Pressure Balance Stem Extension	5P0C0582NT
3	Cross Handle Assembly	14-XHDL



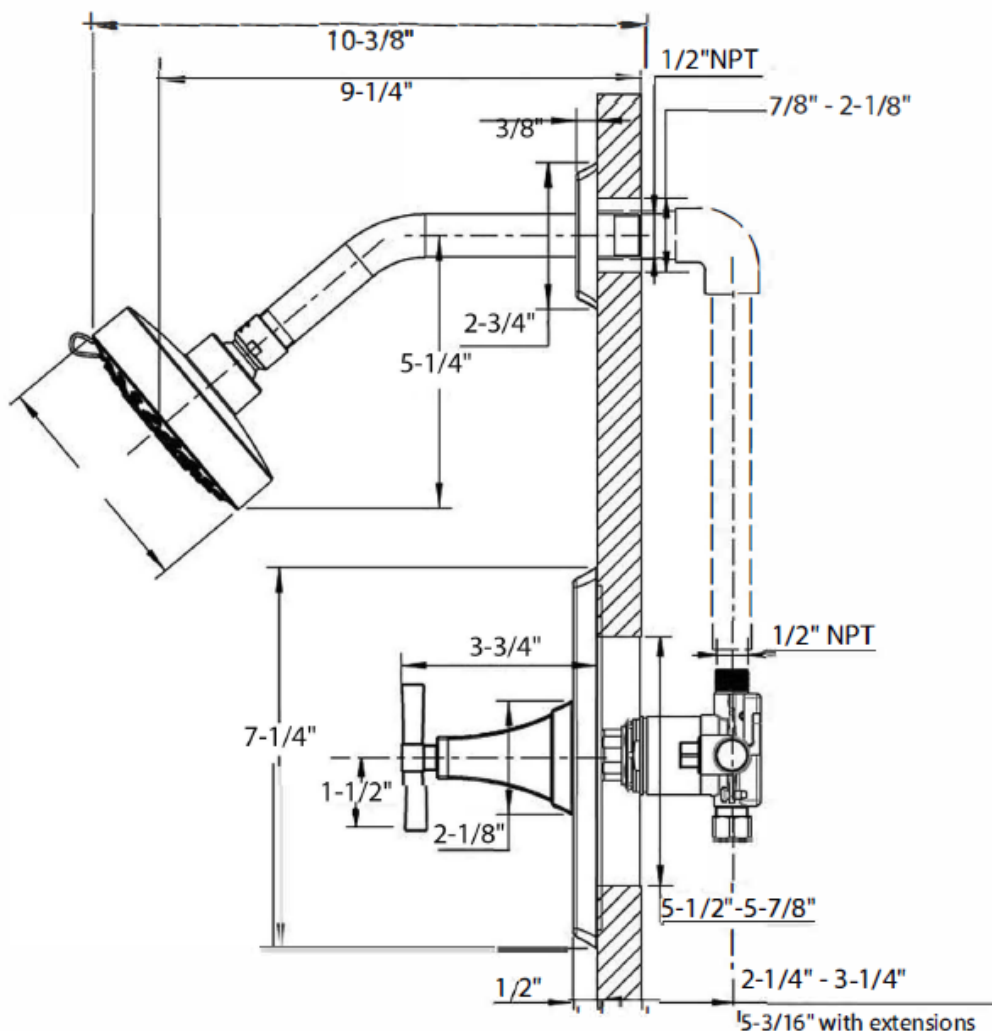
### Applicable Standards/Codes

IAPMO certified to meet or exceed the following:

- ASME A112.18.1/CSA B125.1
- Uniform Plumbing Code
- National Plumbing Code of Canada
- EPA WaterSense
- ADA Compliant

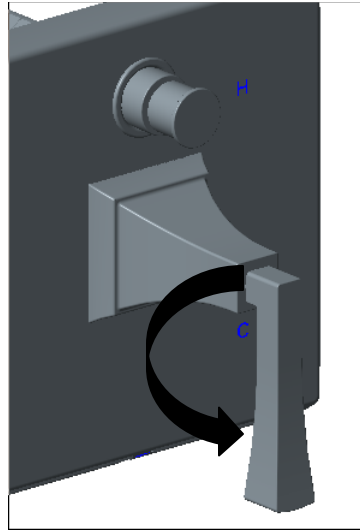


### Installation Dimensions

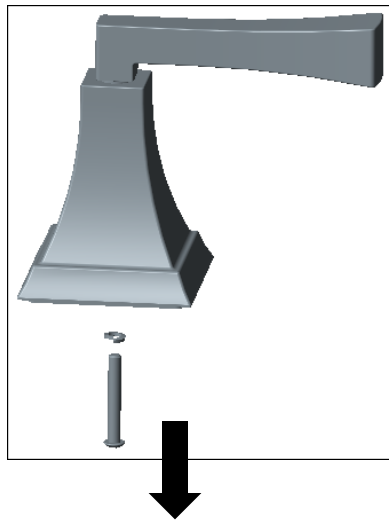


# Leyden Cross Handle Installation Instructions

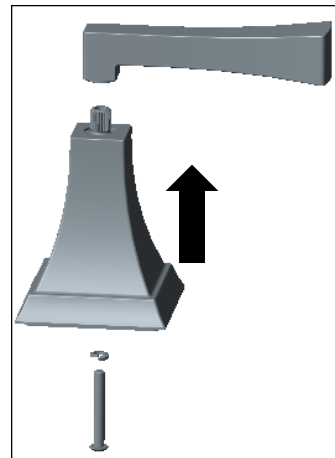
14X-14P-T, 14X-14-T, 14X-15-T, 14X-15P-T, 14X-17-T



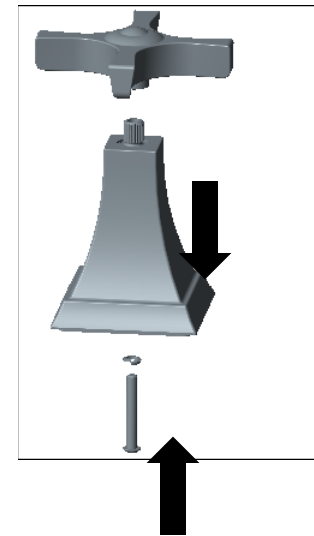
1. Hold the handle escutcheon and turn it counterclockwise to remove



2. Take out the screw and lock washer with a Phillips screwdriver



3. Remove the lever



4. Replace with cross handle and re-install the screw and washer