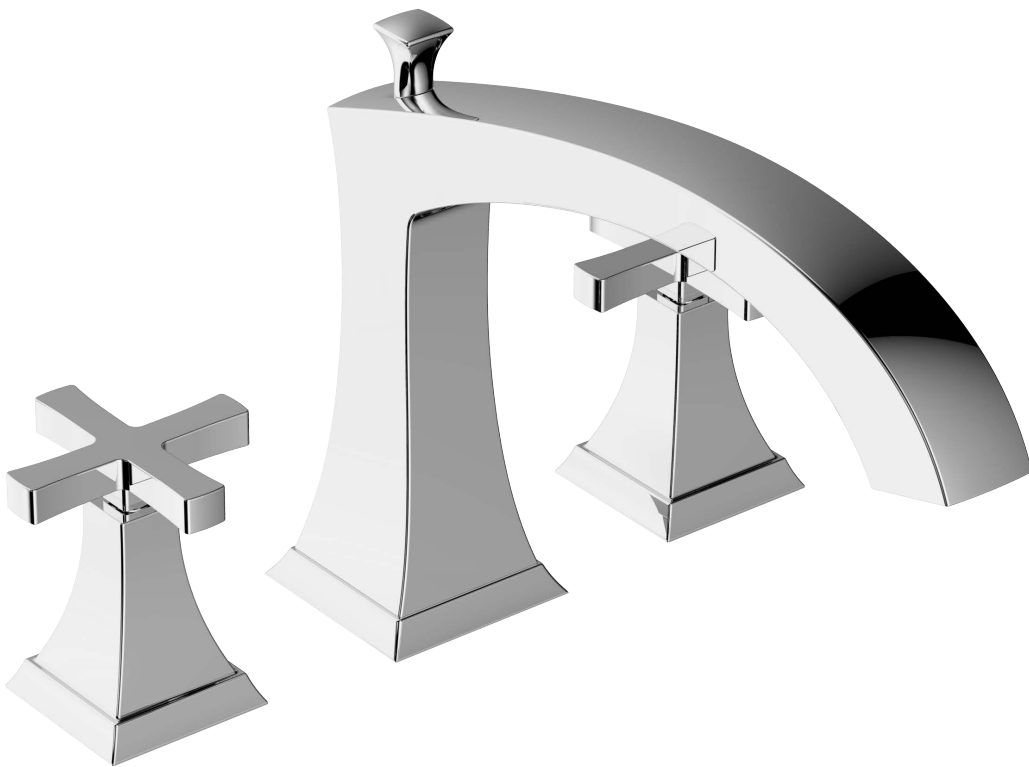


## Leyden Deck-mount Tub Faucet Trim 14X-02-T

### Installation Instructions



For ease of installation you will need:

- To read the installation instructions completely before beginning.
- To read all warnings, care, and maintenance information.

**Anti-scald protection is the responsibility of the installer and according to applicable codes.**

Before beginning installation, check for any damage that may have occurred during transport.

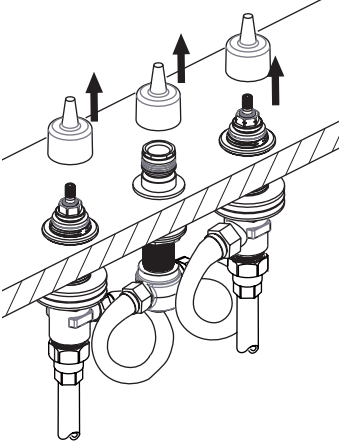
**Note: Damage claims cannot be made during or after installation.**

Note: For illustration purposes, lever handle version is shown.

Please refer to page 5 for instructions on how to remove the lever handle and install the cross handle.

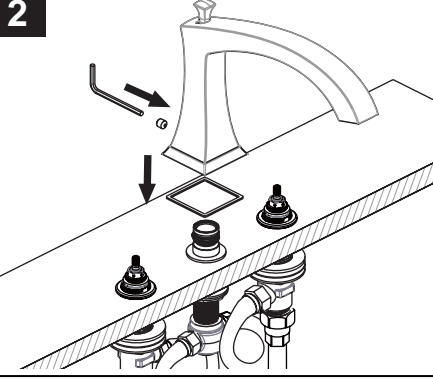
### Installation Instructions

**1**



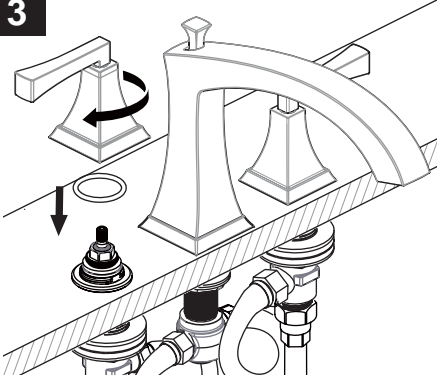
Remove the mud guards from the spout nipple assembly, the hot and cold valves.

**2**



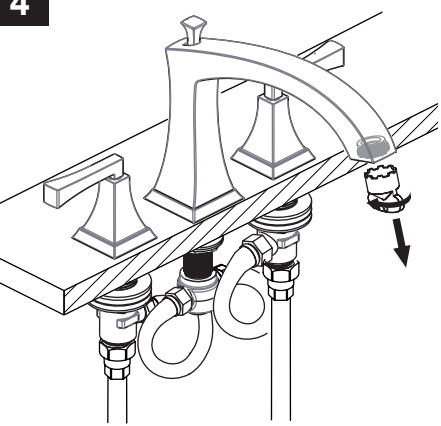
Place the spout washer under the spout and install spout on spout nipple assembly. Be sure the spout is firmly resting on the deck and secure the spout. Secure the spout with the setscrew.

**3**



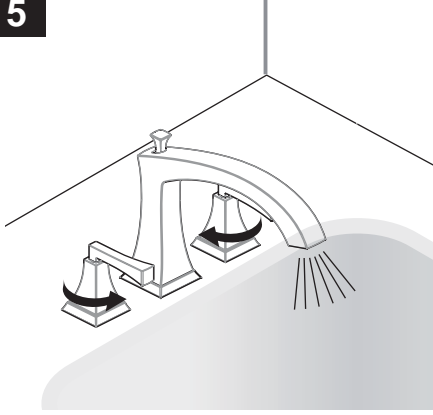
Place the "O" ring over the cold valve. Align the handle and place the handle and escutcheon assembly into the valve. Secure the assembly by turning the escutcheon clockwise. Repeat for hot valve.

**4**



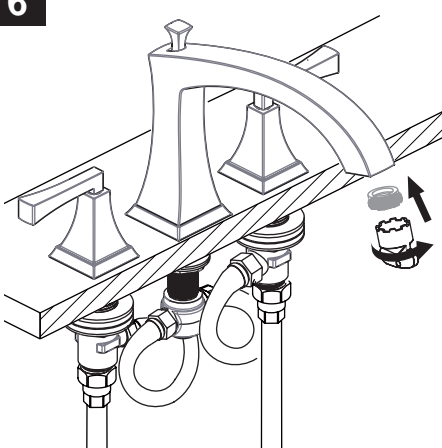
Turn water supply on.

**5**



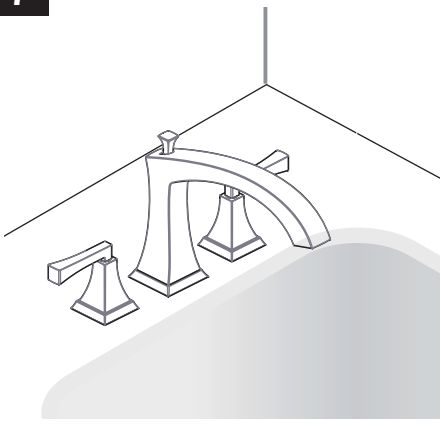
Remove the aerator with the supplied key. Turn the faucet handles on full for one minute to flush debris.

**6**



Re-install the aerator with key.

**7**



Installation complete.

### Cleaning Instructions

Rinse away any traces of soap and gently dry with a clean, soft cloth after each use. Rinse completely with water and dry any overspray. This will maintain the finish and avoid water spotting.

To remove mineral deposits, use a 50/50 solution of white vinegar and water. Do not allow the solution to soak on the product.

Simichrome Polish® contains a protective film to enhance maintenance and is helpful in preventing water spot buildup. Follow instructions to ensure optimum results.

Never use an abrasive material such as a brush or scouring pad to clean the surface. The use of abrasive cleaners, cleansers or disinfectants will alter the surface finish and void the warranty.

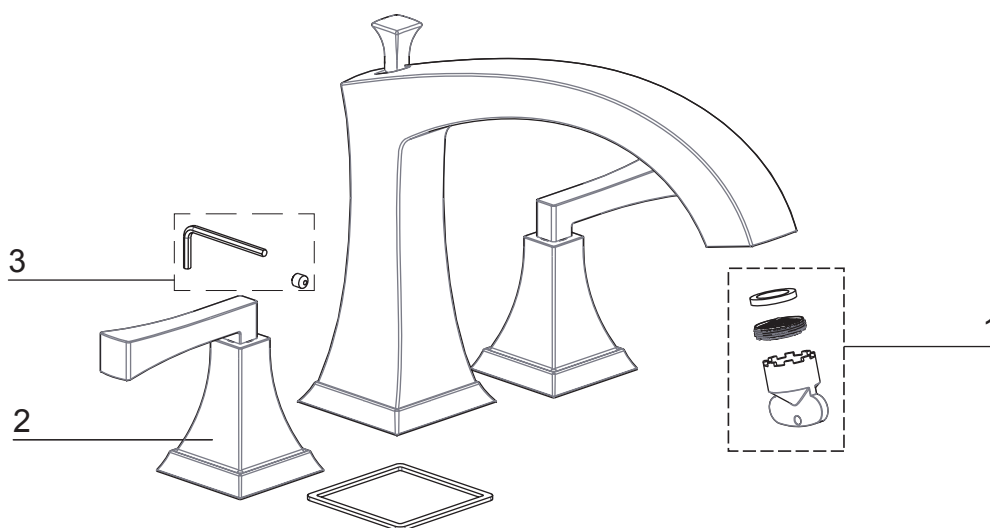
Do not allow certain materials such as toothpaste, cologne, shaving cream, nail polish remover, vinegar, wine, drain and glass cleaners to remain on the surface. Prolonged contact will alter surface finishes and void the warranty.

**We DO NOT recommend using any household cleaners as many can cause damage to the finish.**

Please see the website for care instructions for specific finishes.

### Replacement Parts

NO.	Description	Part NO.
1	Washer, Key & Aerator	9Q1110PL
2	Cross Handle Assembly	14-XHDL
3	Set Screw & Allen Key	9Q1350NT



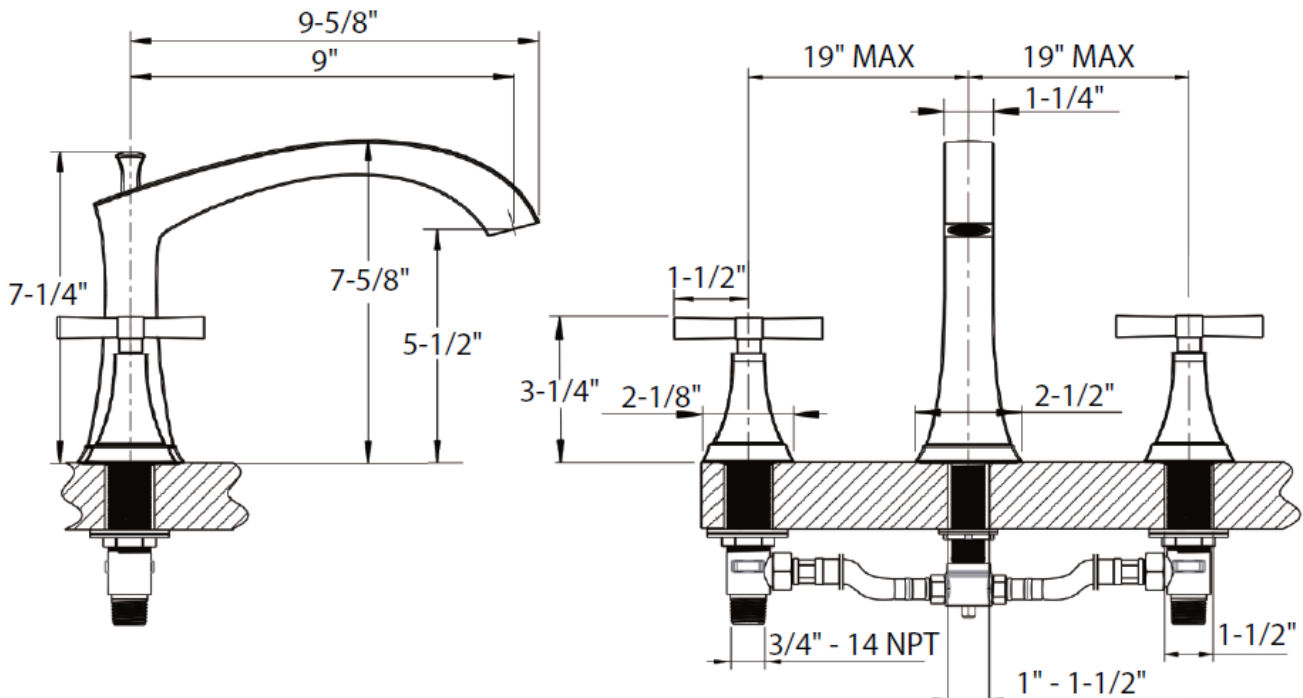
### Applicable Standards/Codes

IAPMO certified to meet or exceed the following:

- ASME A112.18.1/CSA B125.1
- Uniform Plumbing Code
- National Plumbing Code of Canada
- ADA Compliant



### Installation Dimensions



**Warranty** - This **Crosswater London** product is covered by a limited lifetime warranty. For full details, terms and conditions please visit our website.

For further information contact: **Crosswater London**, 393 Fortune Blvd., Milford, MA 01757

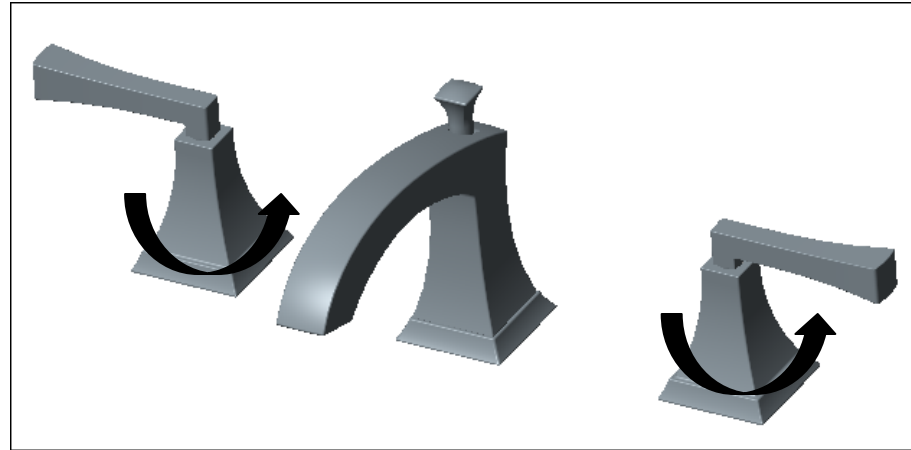
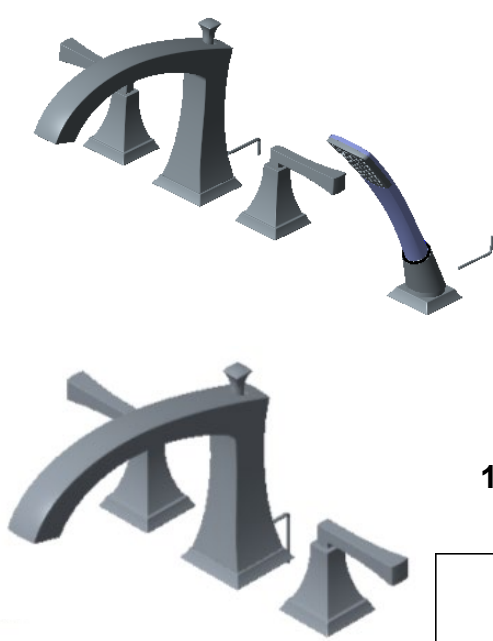
Toll free number: 844-XWATER-1 (844-992-8371) tel: 508-381-0433 fax: 508-381-6068

[www.crosswaterlondon.com](http://www.crosswaterlondon.com)

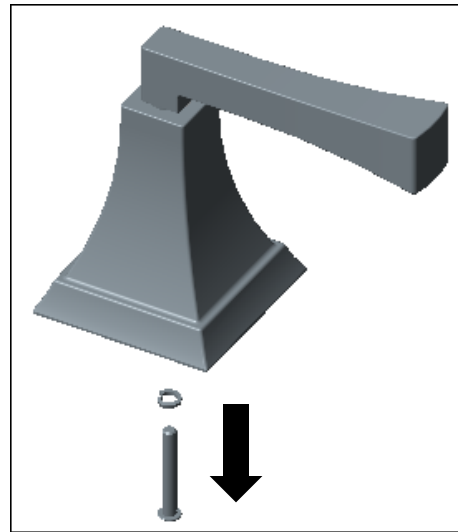
email: [technical@crosswaterlondon.com](mailto:technical@crosswaterlondon.com)

# Leyden Cross Handle Installation Instructions

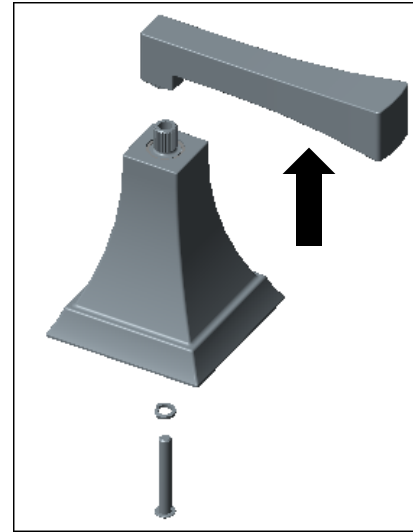
14X-02-T, 14X-03-T, 14X-08



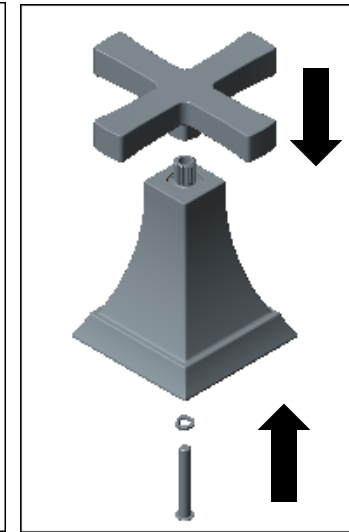
**1. Hold the handle escutcheon and turn it counterclockwise to remove**



**2. Take out the screw and lock washer with a Phillips screwdriver**



**3. Remove the lever**



**4. Replace with cross handle and re-install the screw and washer**