

Berea Pressure-balance Tub and Shower Set Trim  
11-14-T  
11-14-175-T

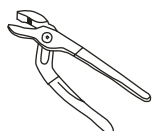
## Installation Instructions



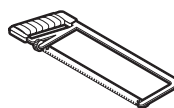
### Tools You Will Need



Adjustable Wrench



Adjustable Pliers



Hacksaw



Teflon Tape



Screwdriver

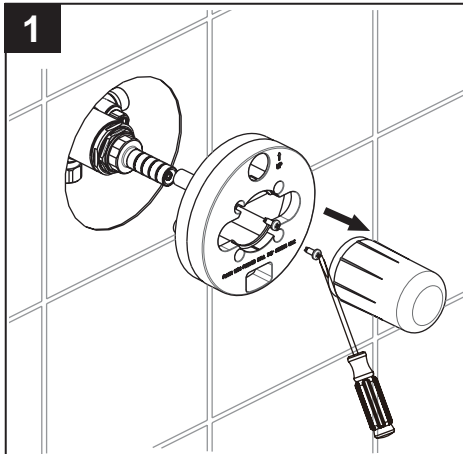
For ease of installation you will need:

- To read the installation instructions completely before beginning.
- To read all warnings, care, and maintenance information.
- To complete the valve rough-in prior to installing this trim kit.

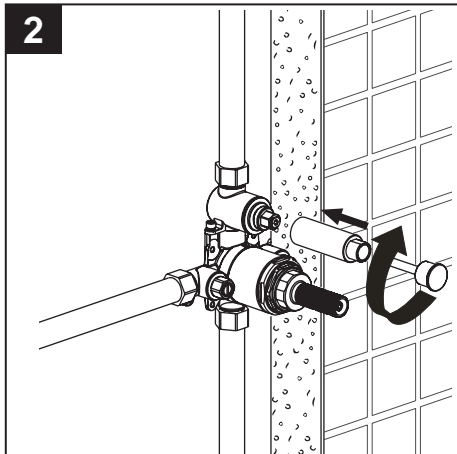
Before beginning installation, check for any damage that may have occurred during transport.

**Note: Damage claims cannot be made during or after installation.**

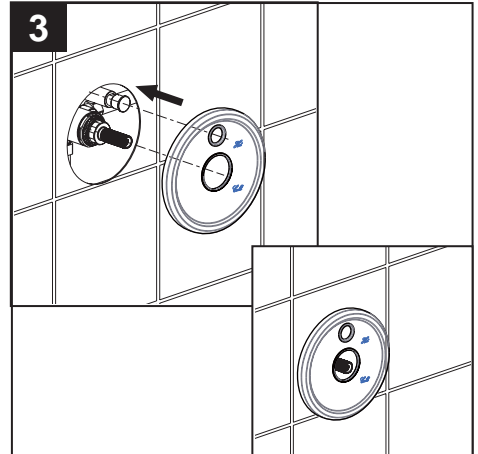
**Installation Instructions**



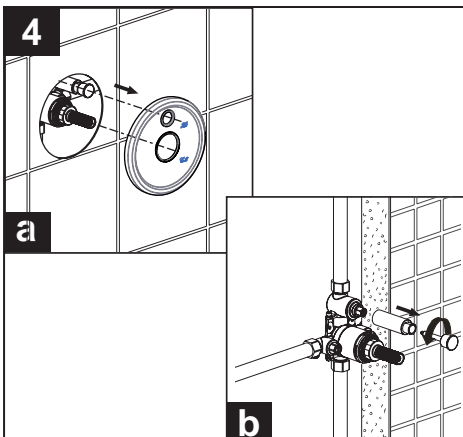
Remove the mud guard.



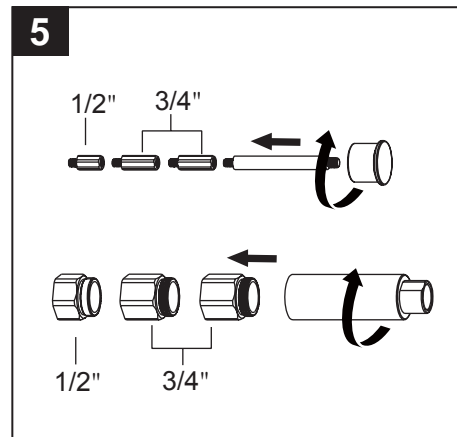
Install diverter sleeve, stem and button on to the valve.



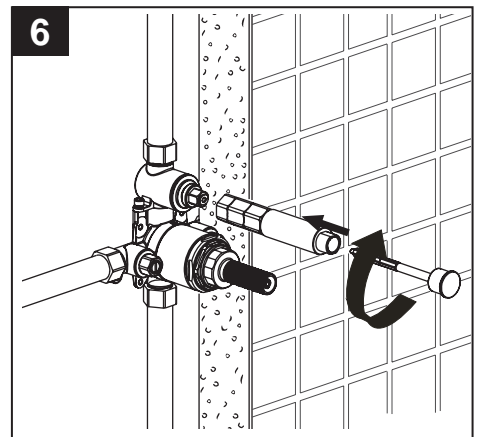
Carefully slide escutcheon on valve. If diverter knob is accessible, go to step #13. If not continue to step #4.



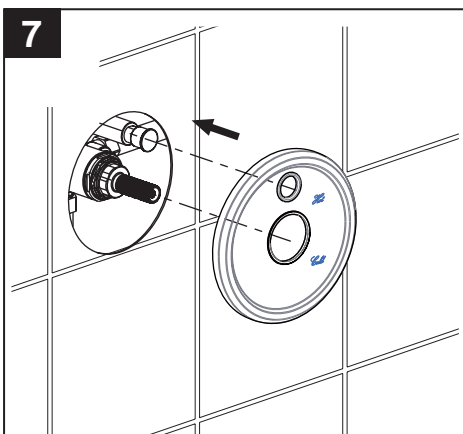
Remove escutcheon and diverter sleeve, stem and button.



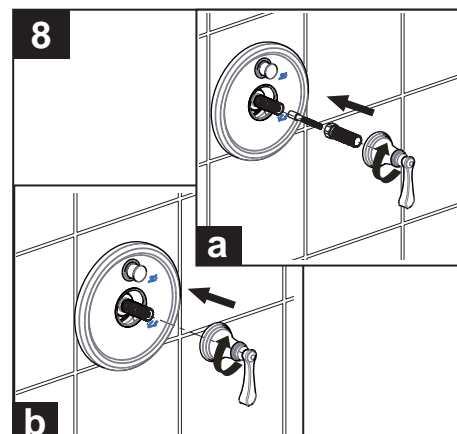
Install the appropriate diverter stem and sleeve extensions supplied with the trim to allow easy access to the diverter button.



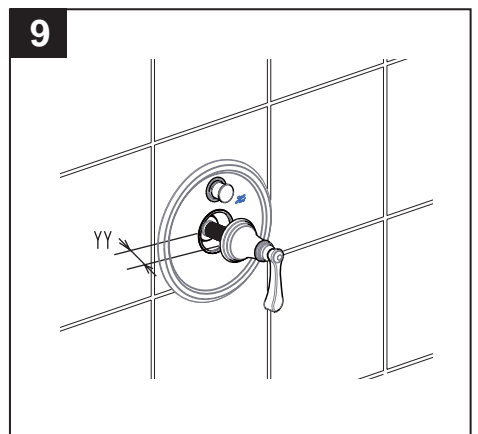
Install diverter stem and sleeve onto the valve.



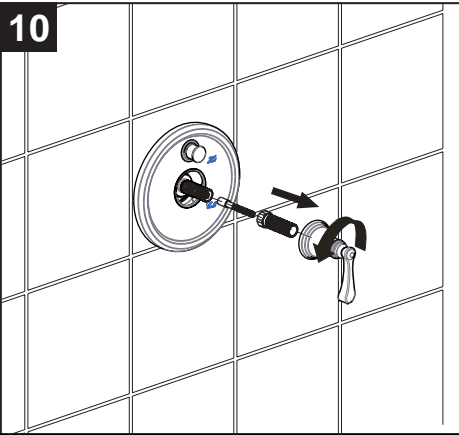
Carefully slide the escutcheon on valve.



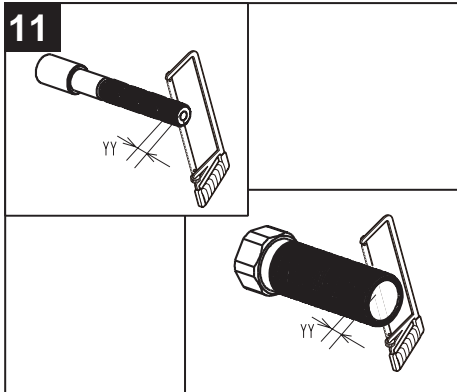
a.) Add the threaded nipple and pressure balance stem extensions.  
b.) Attach handle assembly.



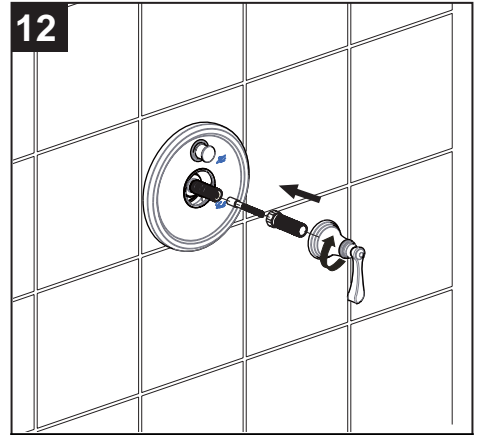
Measure and note the distance 'YY' (the distance between the bottom of the handle assembly and the escutcheon).



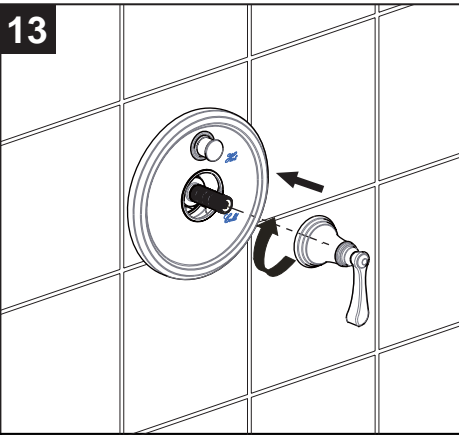
Remove the handle and escutcheon assembly, the plate, stem and nipple.



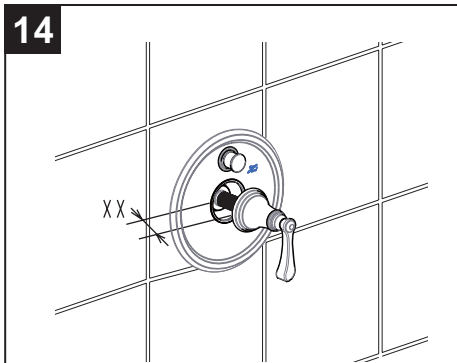
Cut stem and nipple extensions the amount noted in step # 9. (Never cut the stem and nipple while still on the valve. This may damage the valve.)



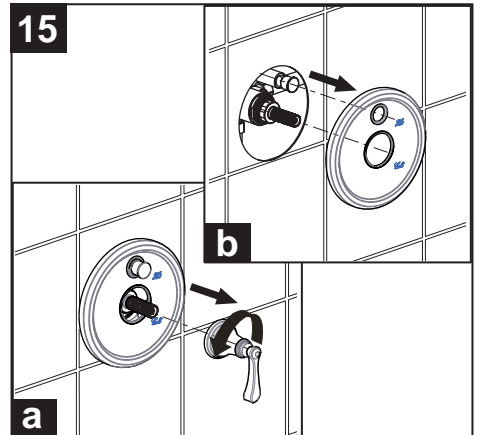
Re - install the nipple and stem extensions. Then, go to step #19.



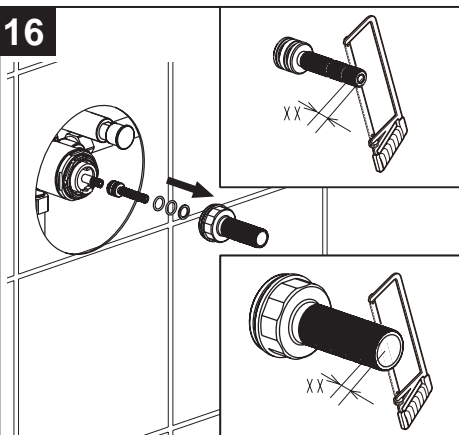
Place handle assembly on valve and rotate clockwise to secure escutcheon.



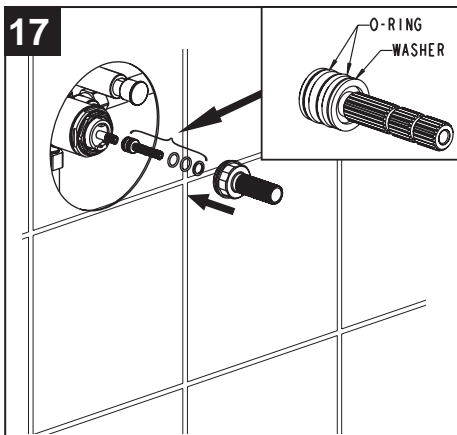
If handle assembly will not secure escutcheon to the wall, measure and note the distance 'XX' (the distance between the bottom of the handle assembly and the escutcheon)



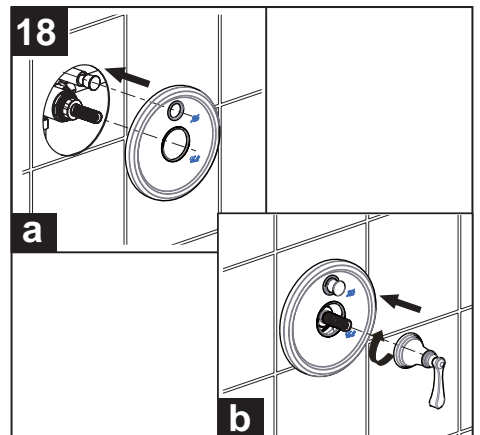
Remove the handle and escutcheon assembly, the plate, stem and nipple.



Cut stem and nipple the amount noted in step # 14. (Never cut the stem and nipple while still on the valve. This may damage the valve.)



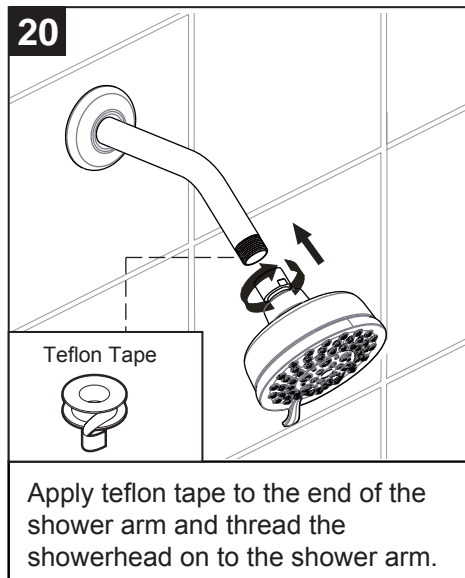
Re-install the trimmed stem and nipple on the valve.



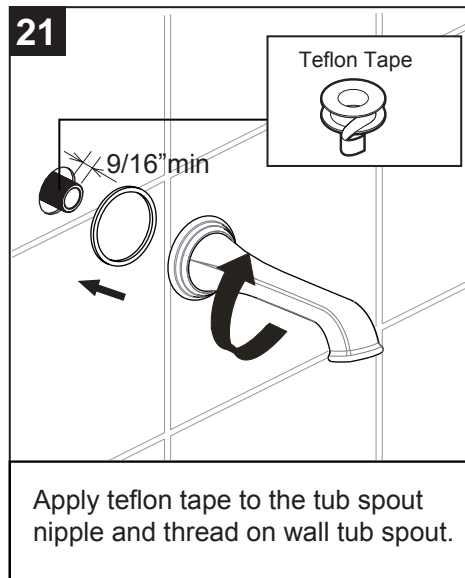
Place escutcheon on valve. Thread on handle assembly to secure escutcheon.



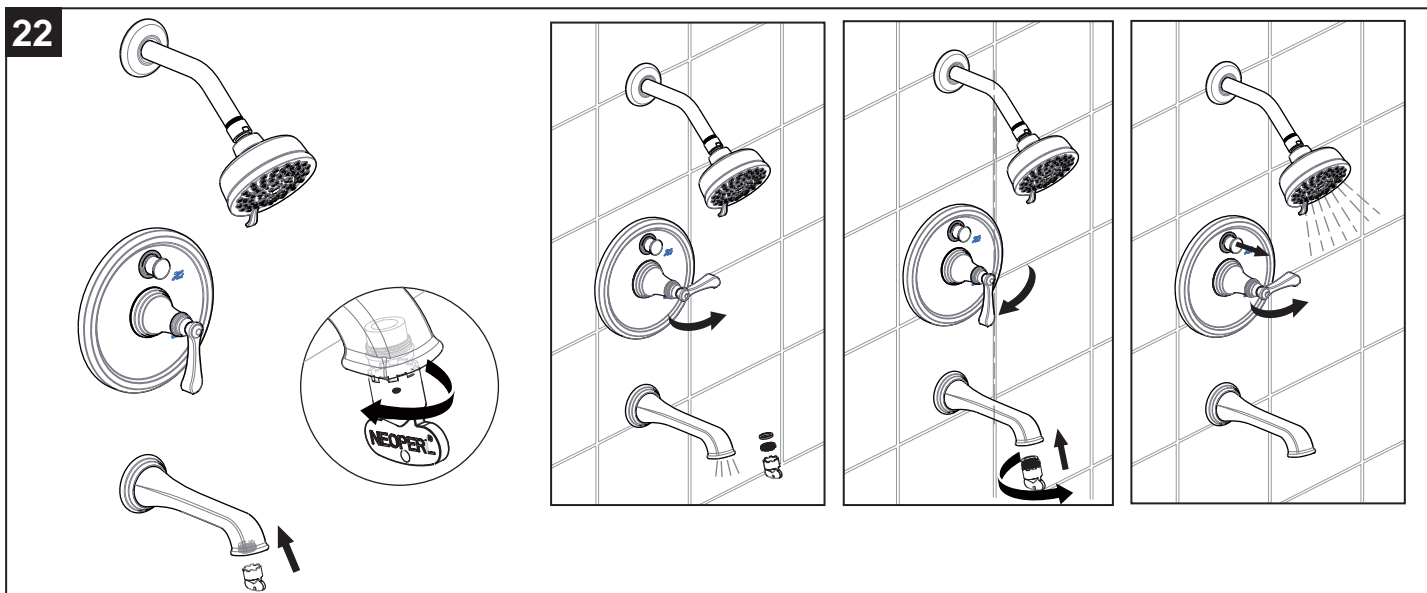
Apply teflon tape to the shower arm and thread clockwise into the nipple and slide on the flange.



Apply teflon tape to the end of the shower arm and thread the showerhead on to the shower arm.



Apply teflon tape to the tub spout nipple and thread on wall tub spout.



Remove tub spout flow guide with key and flush out debris.  
Reinstall flow guide and save key for homeowner.  
Turn shower valve on and test the diverter.

## Cleaning Instructions

Rinse away any traces of soap and gently dry with a clean, soft cloth after each use. Rinse completely with water and dry any overspray. This will maintain the finish and avoid water spotting.

To remove mineral deposits, use a 50/50 solution of white vinegar and water. Do not allow the solution to soak on the product.

Simichrome Polish® contains a protective film to enhance maintenance and is helpful in preventing water spot buildup. Follow instructions to ensure optimum results.

Never use an abrasive material such as a brush or scouring pad to clean the surface. The use of abrasive cleaners, cleansers or disinfectants will alter the surface finish and void the warranty.

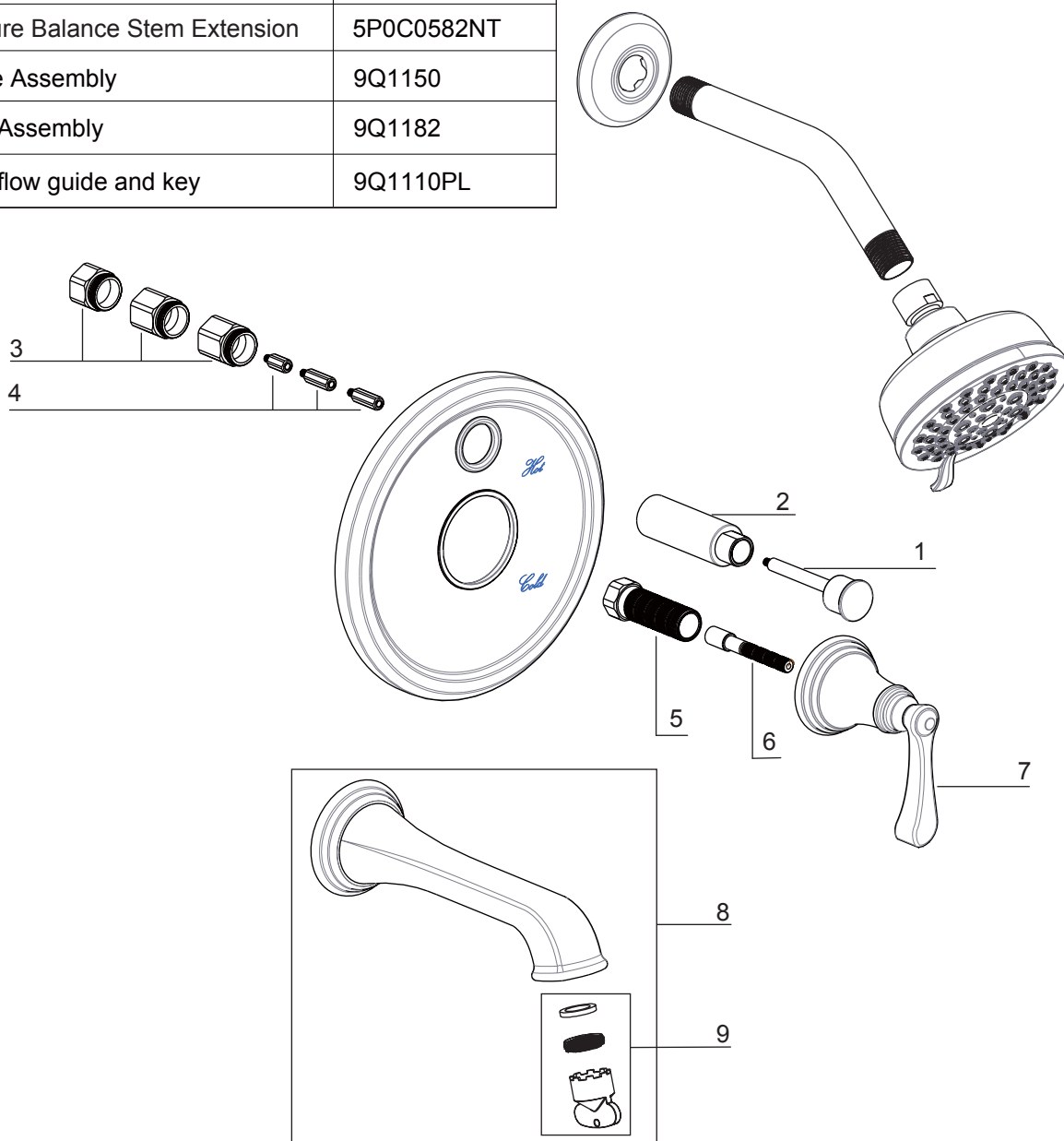
Do not allow certain materials such as toothpaste, cologne, shaving cream, nail polish remover, vinegar, wine, drain and glass cleaners to remain on the surface. Prolonged contact will alter surface finishes and void the warranty.

**We DO NOT recommend using any household cleaners as many can cause damage to the finish.**

Please see the website for care instructions for specific finishes.

### Replacement Parts

No.	Description	Part No.
1	Diverter Knob & Stem	9Q1174
2	Diverter Knob Sleeve	5L0C0871
3	Diverter Knob Stem Extensions	9Q1175NT
4	Diverter Knob Sleeve Extensions	9Q1176NT
5	Threaded Nipple Extension	5T1C0319NT
6	Pressure Balance Stem Extension	5P0C0582NT
7	Handle Assembly	9Q1150
8	Spout Assembly	9Q1182
9	Spout flow guide and key	9Q1110PL



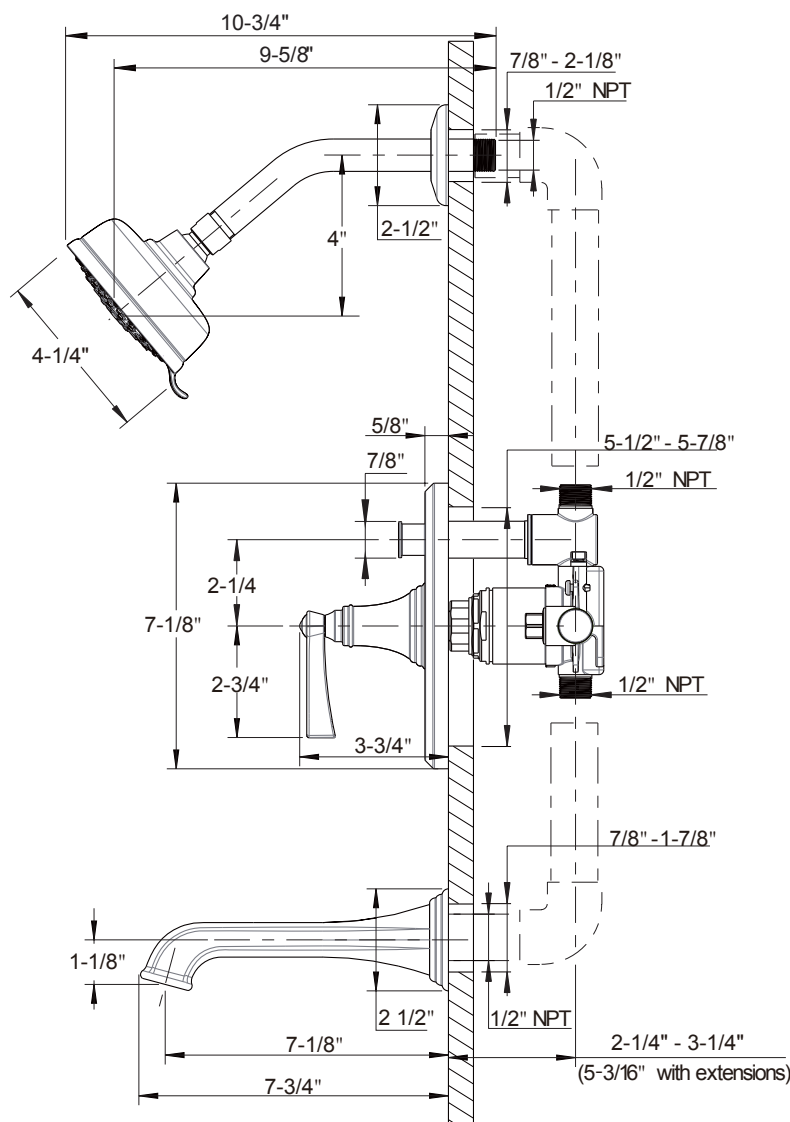
### Applicable Standards/Codes

IAPMO certified to meet or exceed the following:

- ASME A112.18.1/CSA B125.1
- Uniform Plumbing Code
- National Plumbing Code of Canada
- EPA WaterSense (11-14-T)
- ADA Compliant



### Installation Dimensions



**Warranty** - This Crosswater London product is covered by a limited lifetime warranty. For full details, terms and conditions please visit our website.

For further information contact: **Crosswater London**, 393 Fortune Blvd., Milford, MA 01757

[www.crosswaterlondon.com](http://www.crosswaterlondon.com)

Toll free number: 844-XWATER-1 (844-992-8371) tel: 508-381-0433 fax: 508-381-6068

email: [technical@crosswaterlondon.com](mailto:technical@crosswaterlondon.com)