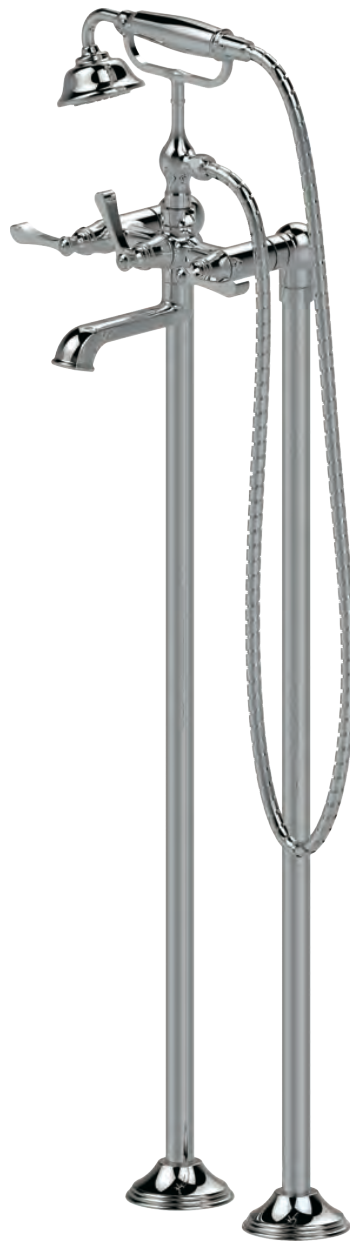


Berea Floor-mount Tub Filler

11-04

Installation Instructions



For ease of installation you will need:

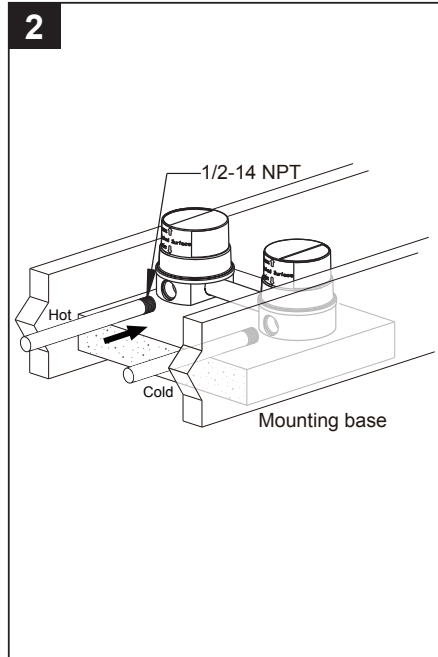
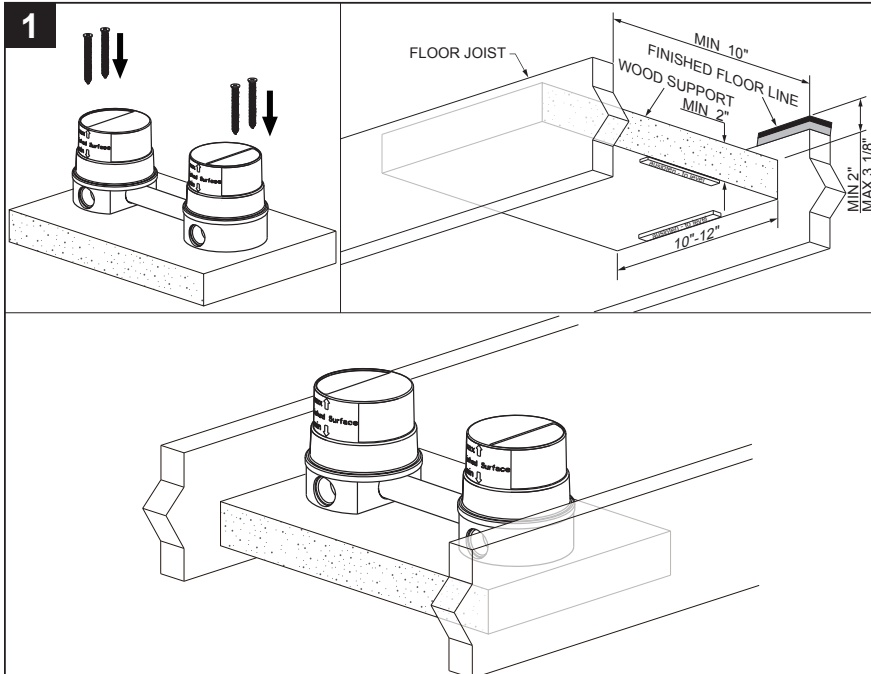
- To read the installation instructions completely before beginning.
- To read all warnings, care, and maintenance information.

Anti-scald protection is the responsibility of the installer and according to applicable codes.

Before beginning installation, check for any damage that may have occurred during transport.

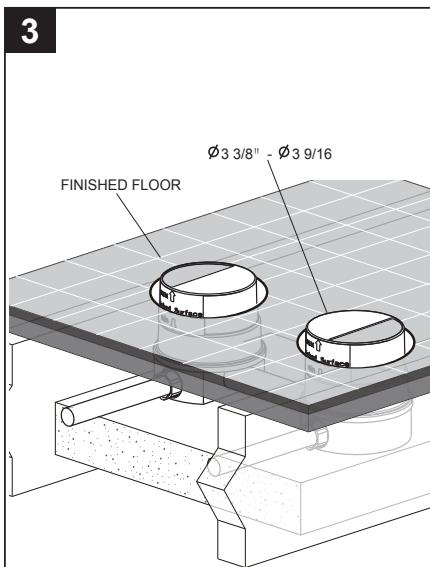
Note: Damage claims cannot be made during or after installation.

Installation Instructions

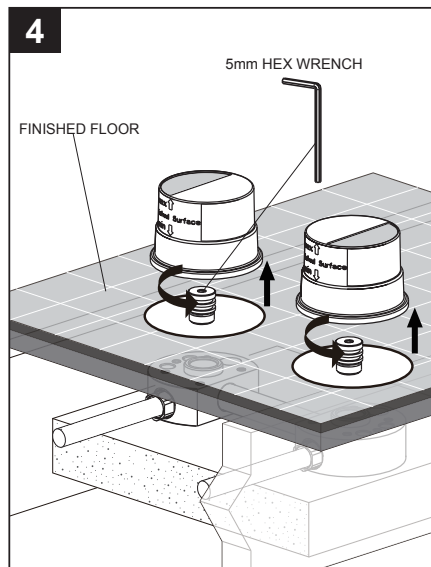


Adequate floor support is required. The WOOD SUPPORT must be a minimum of 2" (51mm) thick by 10" (254mm) wide. Wood support must be located within the MIN. and MAX. arrows that are marked on the plaster guard.
Use 4 screws to install and fix the mounting base to the wood support board.
Use level from bottom on both directions to make sure wood support board is flat.
Secure wood support to floor joists.

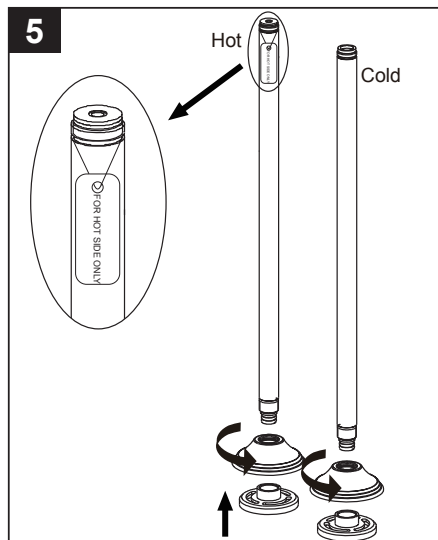
Thread and securely tighten 1/2" male NPT hot and cold supply lines into the mounting base. Make sure the hot line is installed on the left side of the mounting base when facing the mounting base from the front of where the floor tub filler will fill the bathtub.



Assure the valves are centered in holes that are 3-1/4" to 3-5/8" diameter. This is required to allow mounting base to be installed properly.



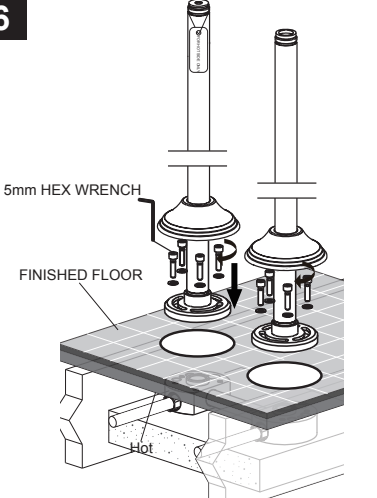
Turn water supply off. Remove the plaster guards and the test plugs with the supplied hex wrench.



Slide escutcheons onto riser pipe. Thread hot and cold riser pipes into the appropriate side of the mounting base making sure the hot riser is attached to the hot water supply as noted in the image above.

Replacement Parts

6



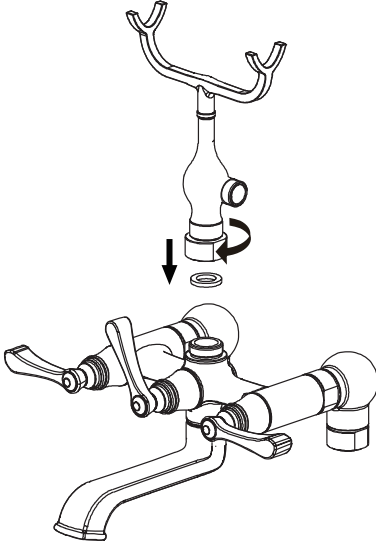
5mm HEX WRENCH

FINISHED FLOOR

Hot

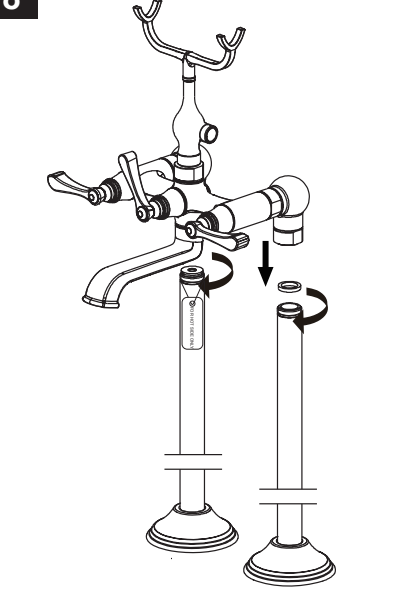
Before final installation, check that all sealing surfaces are clean. Install the mounting adapters onto the mounting base. Install the mounting screws and washers through the mounting plate. And into the mounting base. Do not tighten. Rotate the tub filler right or left to align with tub. Tighten mounting screws to secure tub filler.

7



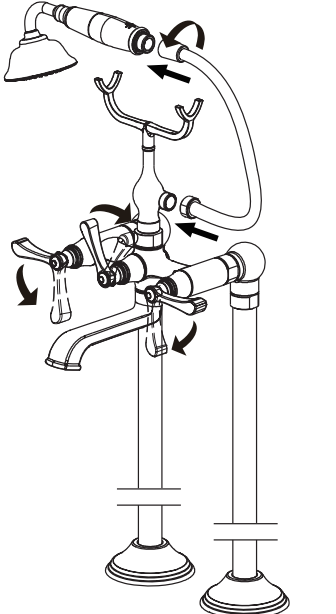
Attach handshower yoke to valve body. Assure the washer is in place.

8



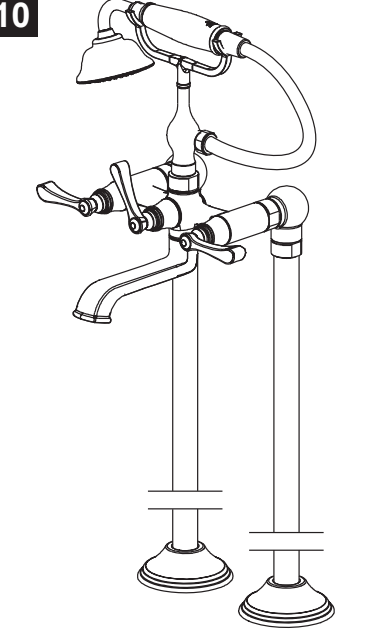
Mount valve body on the riser pipe assembly. Assure the washers are in place.

9



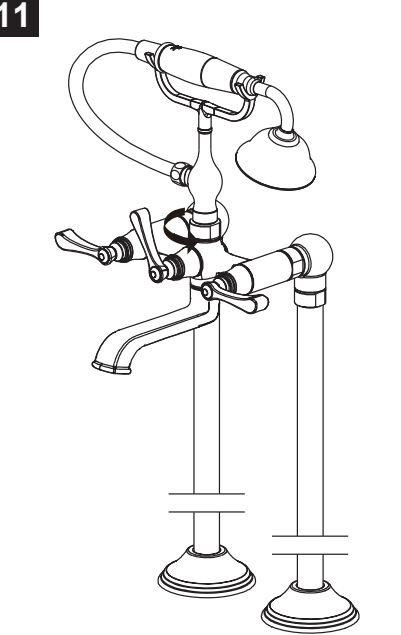
Attach hose to spout and handheld shower. Turn on the water supply to test the hot, cold and diverter water flow.

10



Installation is complete.

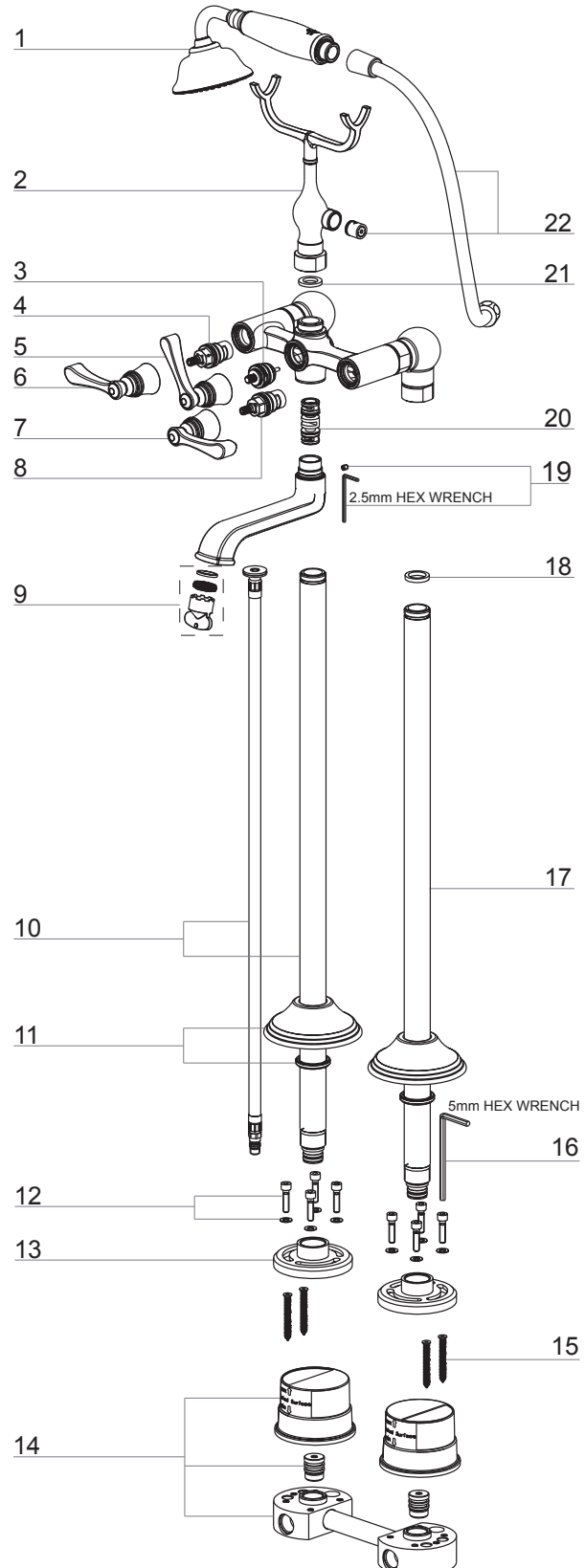
11



To adjust the handshower yoke to reverse direction, unscrew the nut and rotate the yoke by 180 degree and then tighten the nut.

Installation Instructions

NO.	Description	Part No.
1	Handshower	5F0M015901**0A0
2	Handshower Yoke	5y0010200**0
3	Diverter cartridge	9Q240800NT
4	Cartridge - Hot	52009335NT
5	Diverter Handle	9Q240700**
6	Handle Assembly- Hot	9Q240500**
7	Handle Assembly- Cold	9Q240600**
8	Cartridge - Cold	52009347NT
9	Aerator Assembly	5Q0M0443PL
10	Riser Pipe Assembly- Hot	9Q240900**
11	Escutcheon	5Y0010300**0
12	Mounting Plate	9Q241000NT
13	Mounting plate	5N0C0583NT
14	Mounting Base	9Q241100NT
15	Mounting Base	5T0F0143NT
16	5mm HEX WRENCH	5T4F0006ZZ
17	Riser Pipe Assembly- Cold	5P0003100**0
18	Cold Riser Washer	5R9R0042PL
19	Hex screw and Key	9Q241200NT
20	Diverter Washer Assembly	9Q241300NT
21	Washer	5R4R0128PL
22	Handshower Hose	9Q242500**



Cleaning Instructions

Rinse away any traces of soap and gently dry with a clean, soft cloth after each use. Rinse completely with water and dry any overspray. This will maintain the finish and avoid water spotting. To remove mineral deposits, use a 50/50 solution of white vinegar and water. Do not allow the solution to soak on the product. Simichrome Polish® contains a protective film to enhance maintenance and is helpful in preventing water spot buildup. Follow instructions to ensure optimum results. Never use an abrasive material such as a brush or scouring pad to clean the surface. The use of abrasive cleaners, cleansers or disinfectants will alter the surface finish and void the warranty. Do not allow certain materials such as toothpaste, cologne, shaving cream, nail polish remover, vinegar, wine, drain and glass cleaners to remain on the surface. Prolonged contact will alter surface finishes and void the warranty.

We DO NOT recommend using any household cleaners as many can cause damage to the finish.

Please see the website for care instructions for specific finishes.

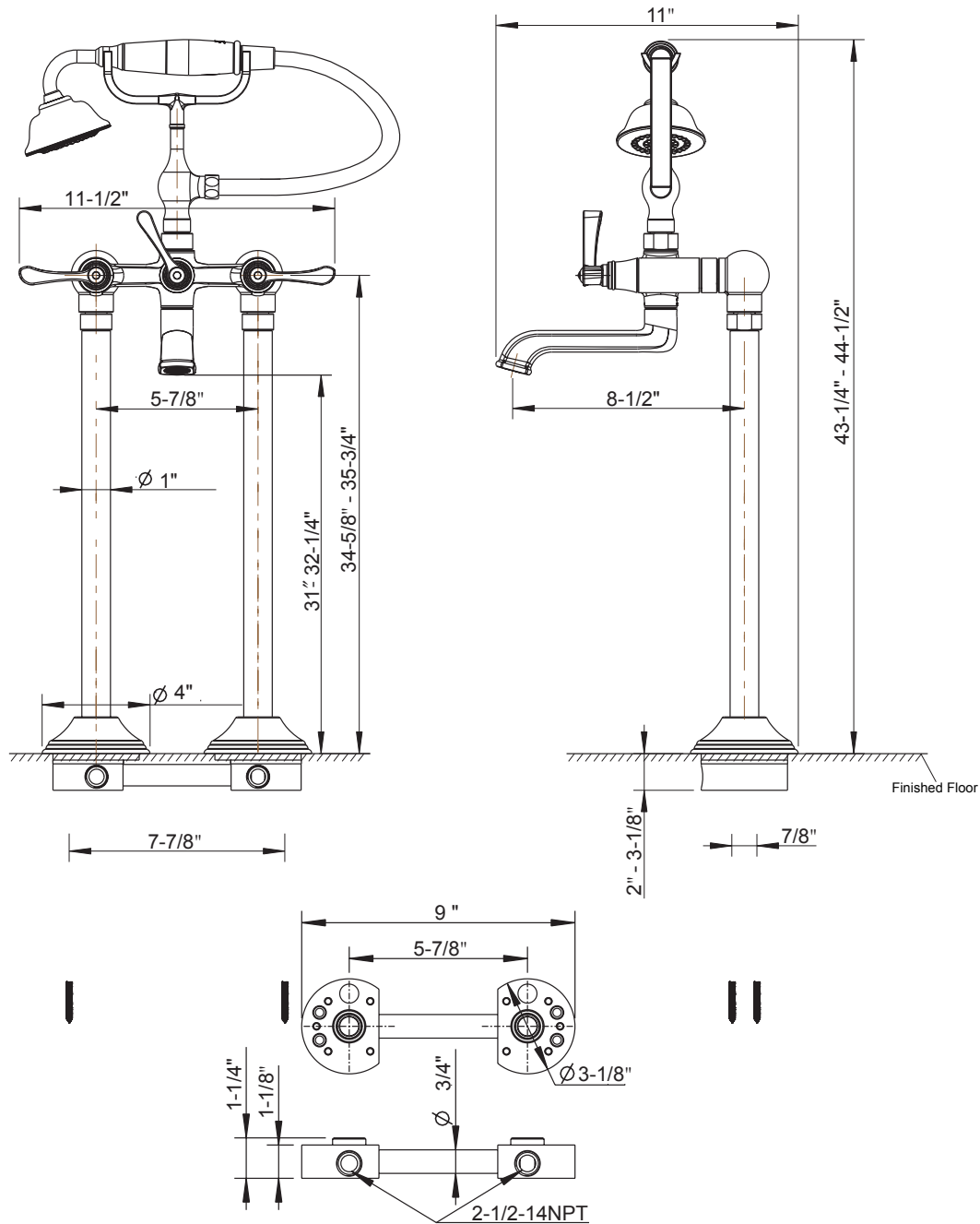
Replacement Parts

IAPMO certified to meet or exceed the following:

- ASME A112.18.1/CSA B125.1
- Uniform Plumbing Code
- National Plumbing Code of Canada



Installation Dimensions



Warranty - This **Crosswater London** product is covered by a limited lifetime warranty. For full details, terms and conditions please visit our website.

For further information contact: **Crosswater London**, 393 Fortune Blvd., Milford, MA 01757

www.crosswaterlondon.com

Toll free number: 844-XWATER-1 (844-992-8371) tel: 508-381-0433 fax: 508-381-6068

email: technical@crosswaterlondon.com