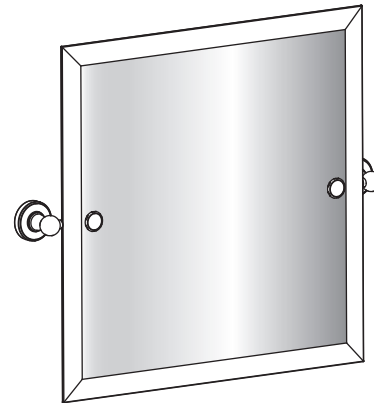
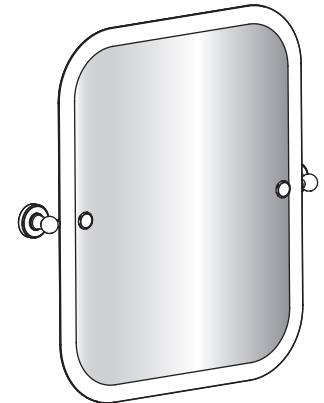


Installation Instructions



Arcade Square Swivel Mirror

US-ARCA39



Arcade Curved Square Swivel Mirror

US-ARCA40

Warranty - This **Crosswater London** product is covered by a limited lifetime warranty. For full details, terms and conditions please visit our website. For further information contact: **Crosswater London**, 393 Fortune Blvd., Milford, MA 01757
Toll free number: 844-XWATER-1 (844-992-8371) tel: 508-381-0433 fax: 508-381-6068

www.crosswaterlondon.com email: technical@crosswaterlondon.com

IMPORTANT:

Please check this product immediately to ensure that it is complete and check for damage that may have occurred during transport.

Note: Damage claims cannot be made during or after installation.

Please read these instructions carefully and keep for future reference

CLEANING INSTRUCTIONS

The safest cleaner for a mirror is a soft, clean cloth and warm water. If using a glass or mirror cleaner, be sure it does not contain ammonia or vinegar.

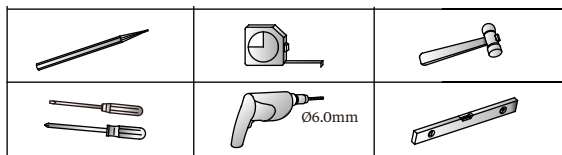
Never spray any cleaner directly on to a mirror. Spray the cleaner on to a soft cloth and then wipe the mirror.

The mirror edges are treated with a specially formulated sealant designed to protect the mirror edges from contaminants and discoloring.

Care should always be taken to avoid getting the edges and backing of the mirror wet. Should they get wet, dry immediately.

INSTALLATION INSTRUCTIONS

Please follow the below diagrams to install the mirror onto the wall. Tools required:



Parts supplied:

