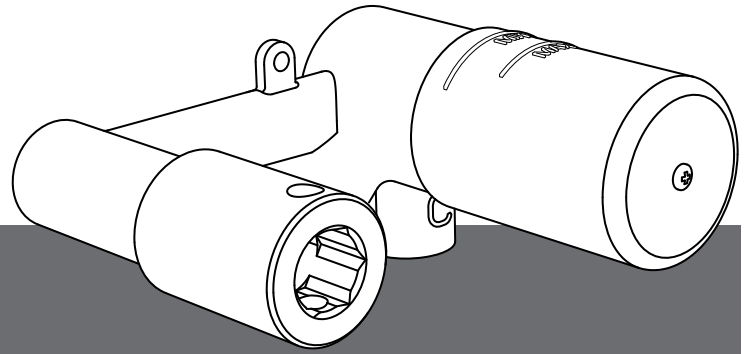


## Rough for Wall-mount Single-lever Basin Faucet

US-120ROUGH



## Installation Instructions



### Introduction

The faucets in this range are single flow (hot and cold water mix in the body) and should therefore be supplied with hot and cold water at balanced pressures. If the faucets are not supplied at balanced pressures then the mixer will not function correctly.

The minimum water pressure required for these faucets is 20 psi. The maximum water pressure is 60 psi beyond which pressure-reducing valves must be installed.

The faucets are fitted with quarter-turn ceramic disc cartridges which provide a good flow rate with very smooth movement.

Before beginning installation, please check for any damage that may have occurred during transport. **Note: Damage claims cannot be made during or after installation.**

**IMPORTANT:** Please read these instructions carefully before beginning installation and retain for future reference. These instructions have been prepared for your guidance; you must exercise due care at all times.

We do not accept responsibility for any problems that may occur through incorrect installation.

### Installation notes

The installation must comply with all plumbing codes including local codes and be installed by a licensed plumbing contractor.

**IMPORTANT!** Before installing a new faucet it is essential that the supply pipes are thoroughly flushed in order to remove any remaining debris, solder or other impurities. Failure to carry out this simple procedure can cause problems or damage to the working of the faucet. If soldering any connections, remove the cartridge to prevent damage to the seals and internal assembly.

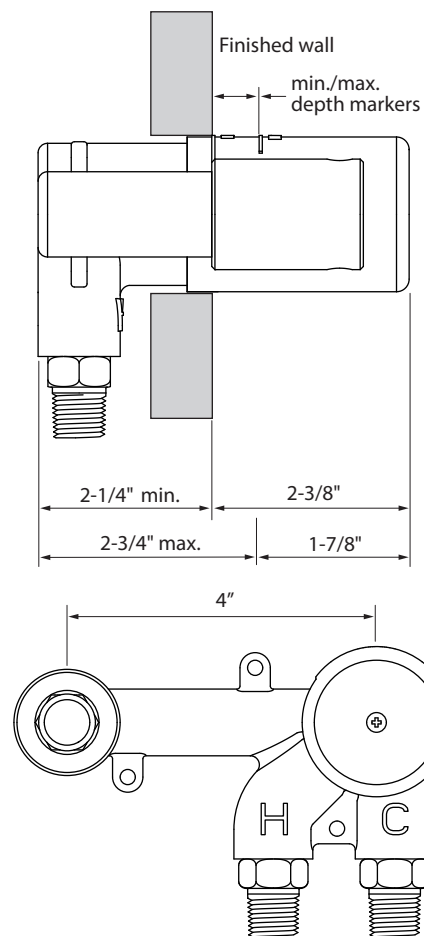
Installing shut-off valves on incoming supply lines is recommended for ease of maintenance.

**It is highly recommended that the trim to this rough be on site at the time of beginning rough-in installation.**

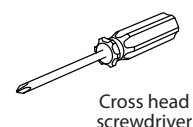
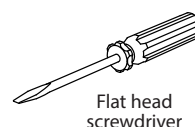
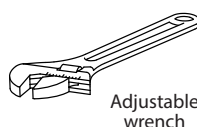
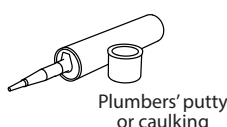
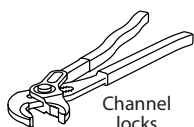
**IMPORTANT:** Turn off the main water supply before connecting to any existing pipework or doing any maintenance.

**WARNING!** Please check for any hidden pipes and cables, electric or otherwise, before drilling holes in a wall or floor.

### Rough-in dimensions



### Tools required

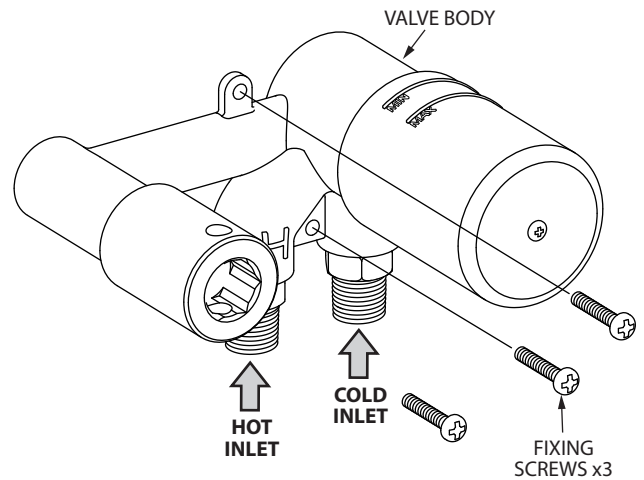


# 1 Installation

- Shut off the water heating system then, with the main water supply **turned off**, open the lowest hot and cold faucets and allow to drain until supply pipes are empty.

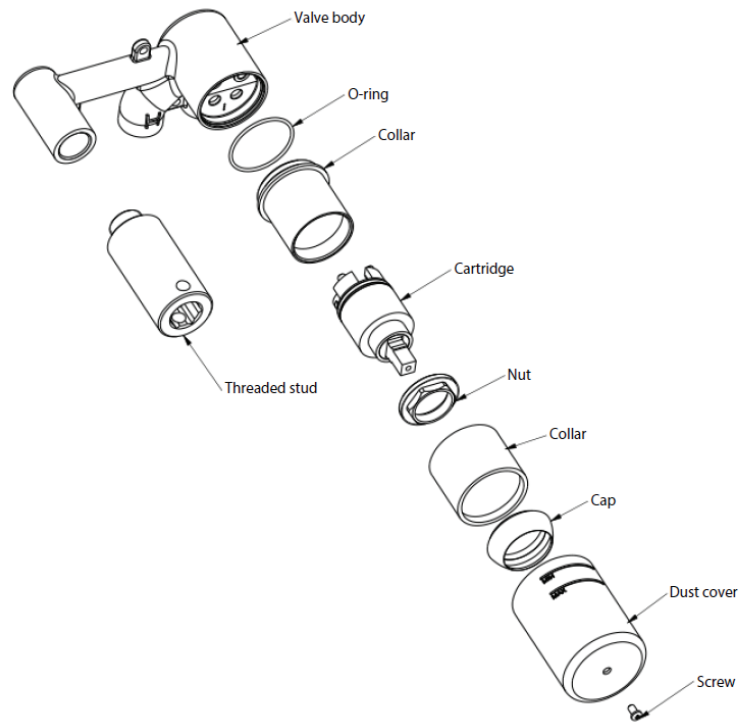
## US-120ROUGH valve mounting:

- A recess must be made in the wall to accommodate the valve body.
- Place the valve body into position and determine what alterations to the existing pipework are necessary.
- Secure the valve body using suitable fixing screws for the wall type.
- Connect the **hot** (to the left) and **cold** (to the right) water supplies to the 1/2" NPT fittings at the bottom of the valve body.



# 2 Installation

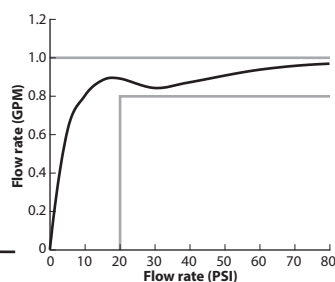
- Remove the protective cover from the valve body.
- Continue the installation by following the installation instructions for chosen trim:  
**Installation Instructions for US-PRO120 or US-WP120**
- **Do not** turn on the main water supply until the installation is complete.



## Care

If the valve is going to be unused for an extended period of time, the water supply to the valve should be drained then shut off.

## Flow rate



**Warranty** - This **Crosswater London** product is covered by a limited lifetime warranty. For full details, terms and conditions please visit our website.

For further information contact: **Crosswater London**, 393 Fortune Blvd., Milford, MA 01757

[www.crosswaterlondon.com](http://www.crosswaterlondon.com)

Toll free number: 844-XWATER-1 (844-992-8371) tel: 508-381-0433 fax: 508-381-6068

email: [technical@crosswaterlondon.com](mailto:technical@crosswaterlondon.com)

Issue date: 22012020