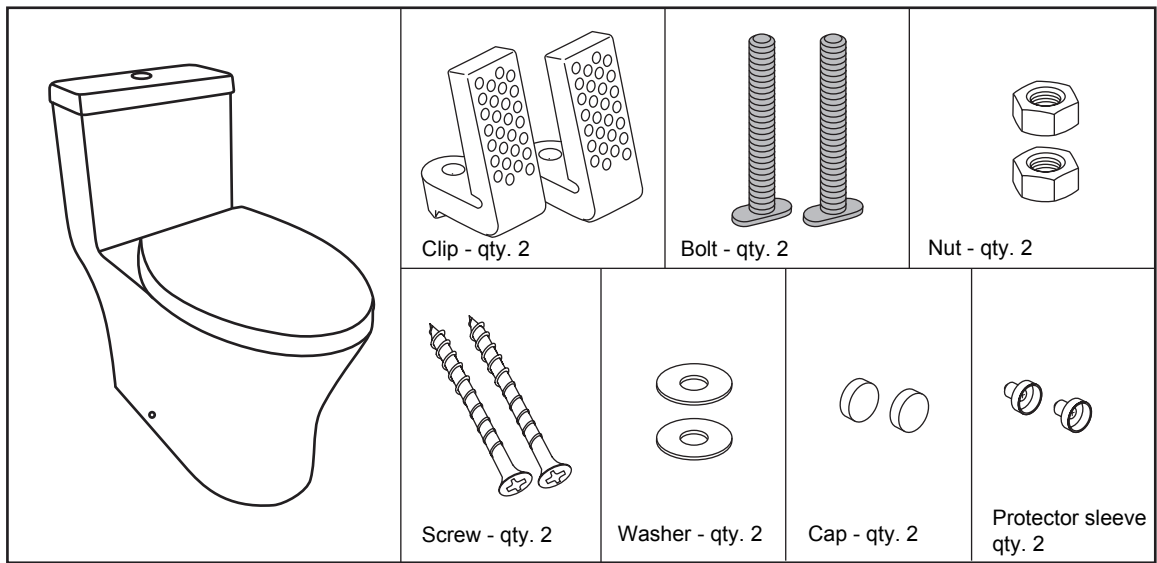


Installation Instructions

PARTS SUPPLIED:

Check to make sure all these parts are included in the package:



Mounting hardware product code: **US-BTF-HARDWARE**

TOOLS REQUIRED:

- | | | |
|---|---|---|
| <ul style="list-style-type: none"> • 12" pipe wrench • 10" adjustable wrench • Carpenter's Level • Tape Measure | <ul style="list-style-type: none"> • Screwdriver • Putty Knife • Drill • Pliers | <ul style="list-style-type: none"> • For wood floor installation:
- 11/64" drill bit for Mounting Block • For concrete/tile installation:
- 11/32" drill bit for Mounting Block |
|---|---|---|

MATERIALS REQUIRED:

(Not Included)

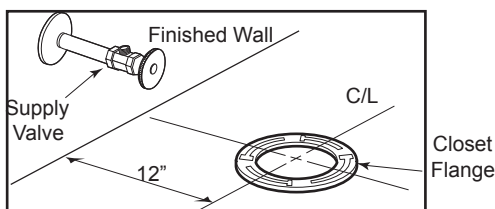
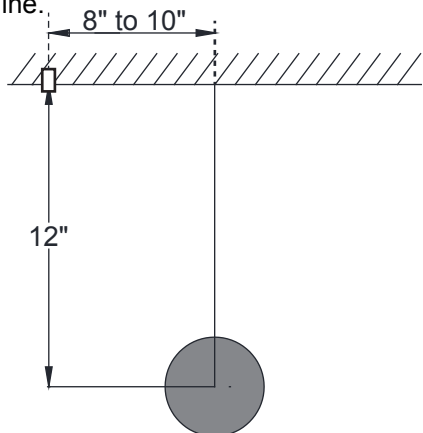
- | | |
|---|--|
| <ul style="list-style-type: none"> • Flexible Supply Tube / Connector • Supply Stop Valve | <ul style="list-style-type: none"> • Mounting (T) Bolts & Nuts (2pc) • Wax Ring / Seal |
|---|--|

BEFORE INSTALLATION:

- Check for any damage that may have occurred during transport. **Note: Damage claims cannot be made during or after installation.**
- Read these instructions thoroughly before beginning work and retain for future reference.
- Please leave instructions for customers. These instructions contain maintenance and warranty information.
- Remove the existing toilet. If new construction, purge the supply line.

In order to fit correctly, please check the following dimensions:

- 1) The distance between the finished wall and the center of the closet flange must be 12".
- 2) The water supply should be approximately 8" to 10" to the left (facing the bowl) from the center line of the closet flange, and approximately 6" above the finished floor.



If replacement mounting hardware is needed, please send an email to technical@fortebrands.com and ask for **US-BTF-HARDWARE**.