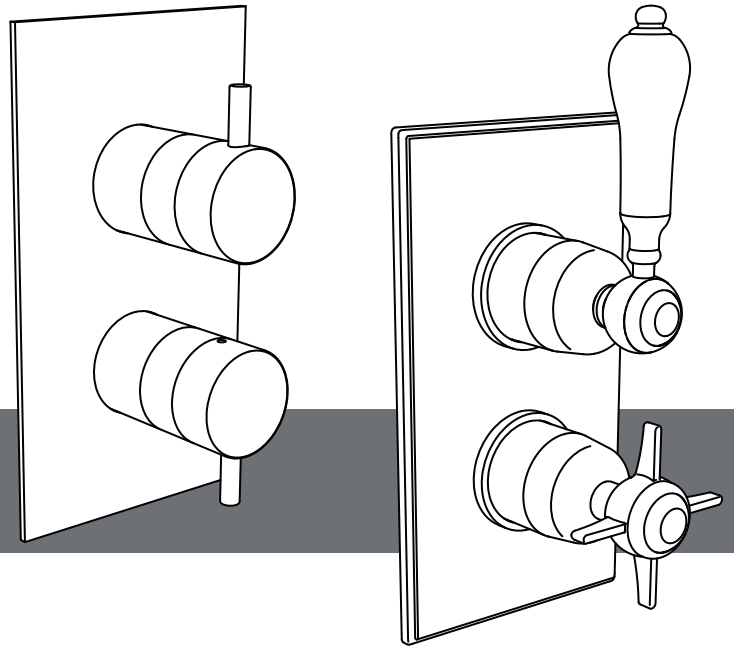


1000/1500/2000/2500/3000

Shower Valve Trim Kits

- US-ARCV34/US-ARCV35
- US-BL1000/1500/2000/2500/3000
- US-PRO1000/1500/2000/2500/3000
- US-WF1000/1500/2000/2500/3000
- US-WP1000/1500/2000/2500/3000

Installation Instructions



Introduction

The installation must comply with all plumbing codes including local codes. **NOTE:** Image shows single-outlet trim kit, please follow the same steps if you have a multi-outlet valve.

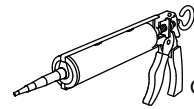
NOTE: These instructions also apply if you have a lever or cross handle. (Please make sure you place in correct orientation if there are etchings on the front of the handle.)

INSTALLATION: Turn off the main water supply before connecting to any existing pipe work.

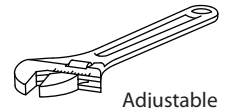
WARNING! Please check for any hidden pipes and cables, electric or otherwise before drilling holes in a wall.

NOTE: Inspect for any damage that may have occurred during transport. Damage claims cannot be made during or after installation.

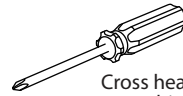
Tools required



Clear silicone adhesive caulk



Adjustable wrench



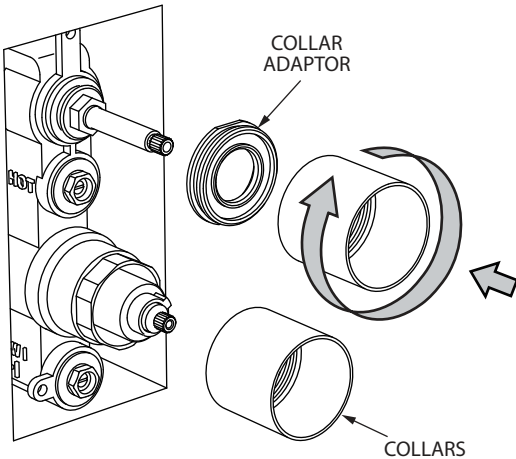
Cross head screwdriver



Hexagonal key

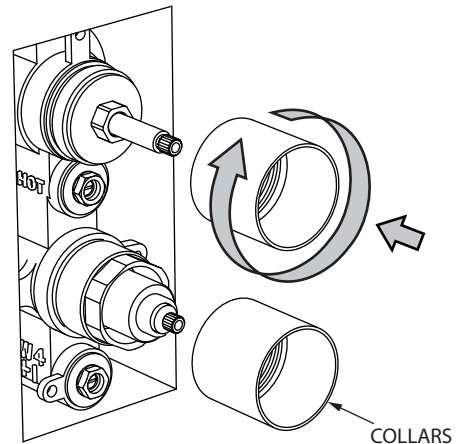
1 Installation 1000 rough

- Follow install guide for US-WLBP1000 valve rough.
- Attach collars by turning these into the valve.



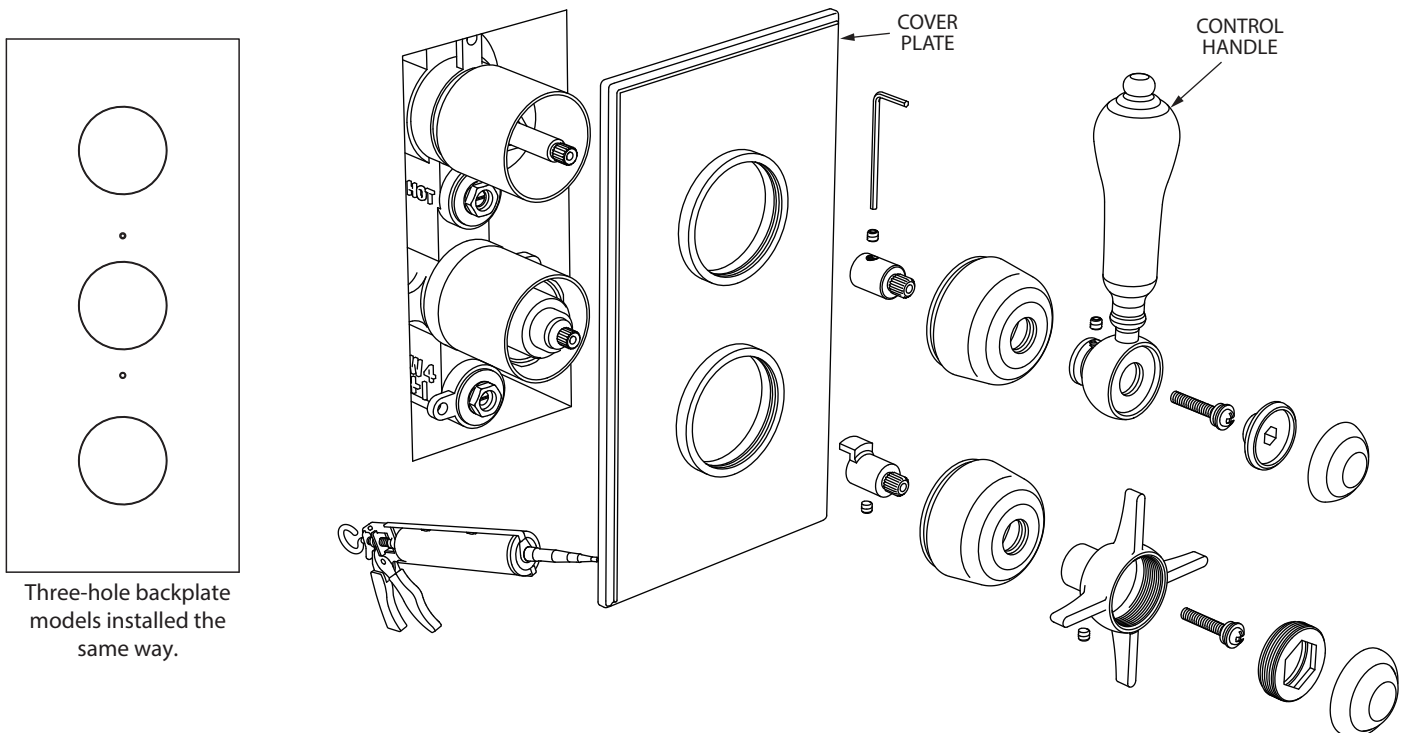
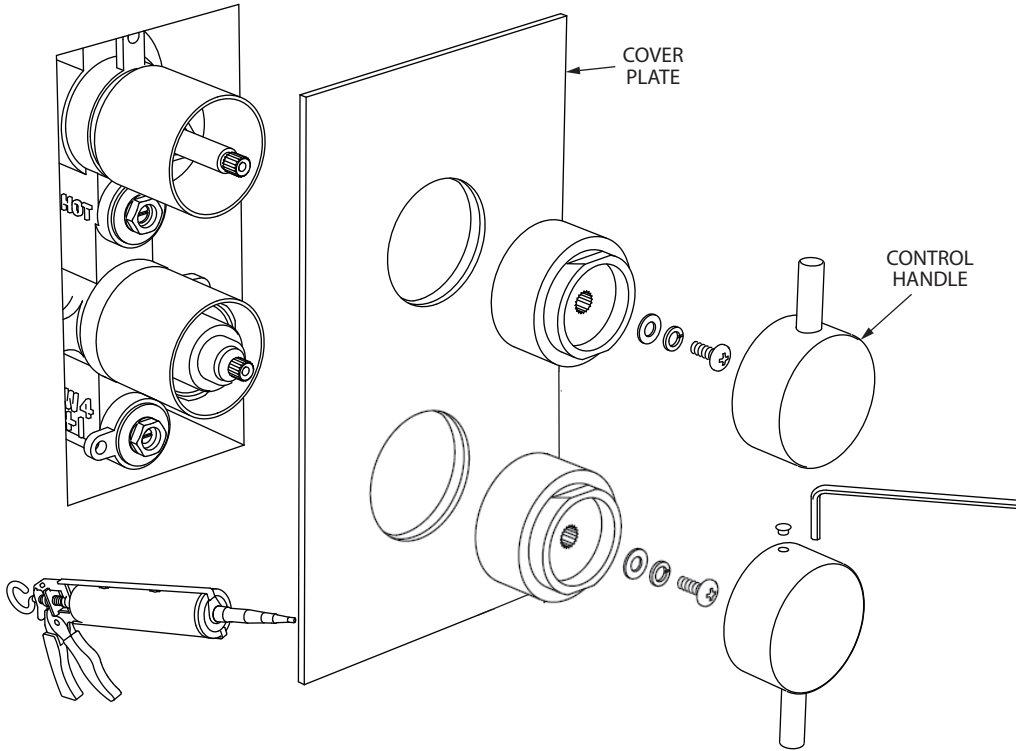
1 Installation 1500 rough

- Follow install guide for US-WLBP1500 valve rough.
- Attach collars by turning these into the valve.



2 Installation

- Remove the adhesive tape film on the backside of cover plate.
- Apply a narrow bead of clear silicone adhesive caulk around the back edge of the cover plate and carefully press into position. (Please make sure you place in correct orientation if there are etchings on the front of the cover plate.)
- Fit the control handles by lining up the flat surface of the valve cover with the set screw on the handle, tighten the screw with a hexagonal key.
- The cover plate comes affixed with a removable cUPC sticker. The sticker may be peeled off following installation of the cover plate.



Warranty - All **Crosswater London** products come with a limited lifetime warranty. For full details, terms and conditions visit our website.

For further information contact: **Crosswater London**, 393 Fortune Blvd., Milford, MA 01757

Toll free number: 844-XWATER-1 (844-992-8371) tel: 508-381-0433 fax: 508-381-6068

www.crosswaterlondon.com

email: technical@crosswaterlondon.com

Issue date: 120617