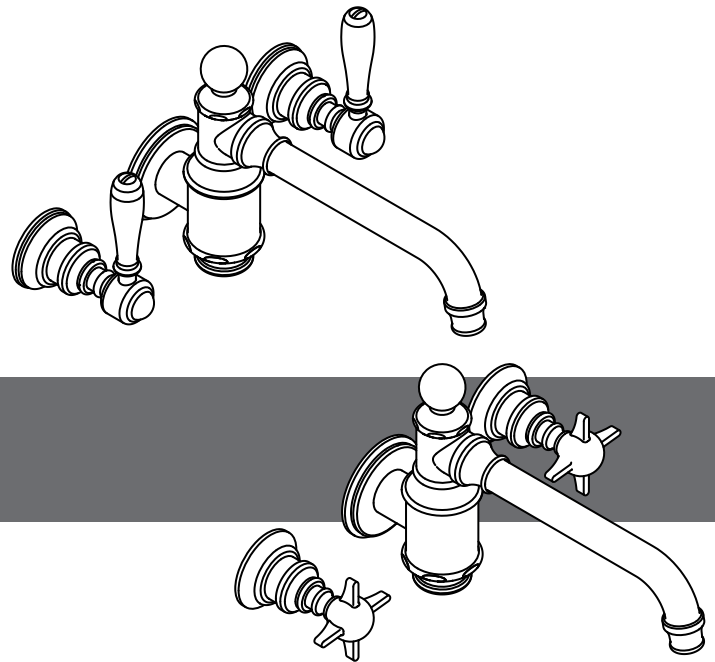


# Arcade Three Hole Basin Mixer Faucet

US-ARC16N/\_NLV  
US-ARC16C/\_CLV



## Installation Instructions



### Introduction

The faucets in this range are single flow (hot and cold water mix in the body) and should therefore be supplied with hot and cold water at balanced pressures. If the faucets are not supplied at balanced pressures then the mixer will not function correctly.

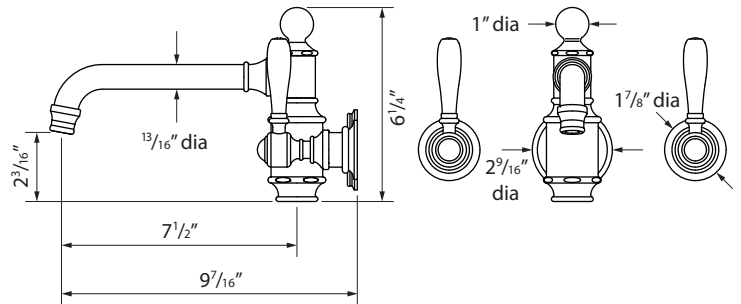
The minimum water pressure required for these faucets is 2.9 psi. The maximum water pressure is 87.6 psi, (beyond which pressure reducing valves must be fitted).

The faucets are fitted with quarter turn ceramic disc cartridges which provide a good flow rate with very smooth movement.

**IMPORTANT: Please read these instructions carefully before you begin and retain for future reference. These instructions have been prepared for your guidance, you must exercise due care at all times.**

**We do not accept responsibility for any problems that may occur through incorrect installation.**

### Dimensions



### Installation notes

**NOTES:** The installation must comply with all plumbing codes including local codes and be installed by a licensed plumbing contractor.

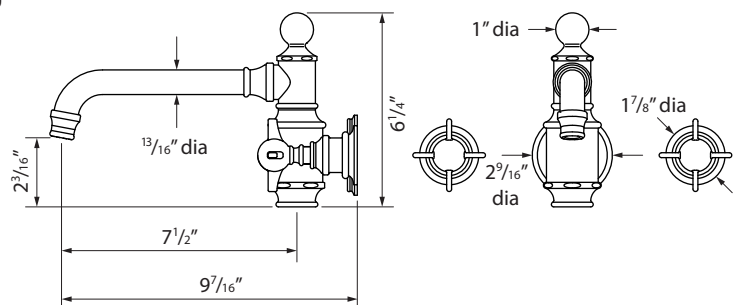
**INSTALLATION: Make sure you install US-130ROUGH first into the wall using the instructions provided with it.**

**WARNING!** Before installing a new faucet it is essential that you thoroughly flush through the supply pipes in order to remove any remaining swarf, solder or other impurities. Failure to carry out this simple procedure can cause problems or damage to the working of the faucet.

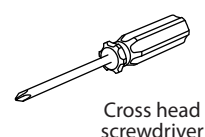
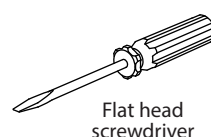
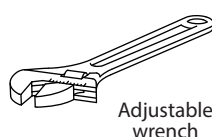
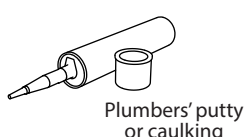
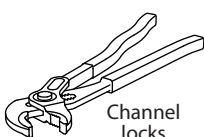
Fitting isolating valves to the inlet feeds is recommended for ease of maintenance.

**INSTALLATION: Remember to turn off the mains water supply before connecting to any existing pipe work or doing any maintenance.**

**WARNING! Please check for any hidden pipes and cables, electric or otherwise before drilling holes in a wall.**



### Tools required



# 1 Installation

- Shut off your water heating system then, with your mains water supply **turned off**, open the lowest hot and cold faucets and allow to drain until supply pipes are empty.
- Install the **US-130ROUGH** first into the wall, using the installation instructions provided with it, before following the trim installation detailed below.

## Spout

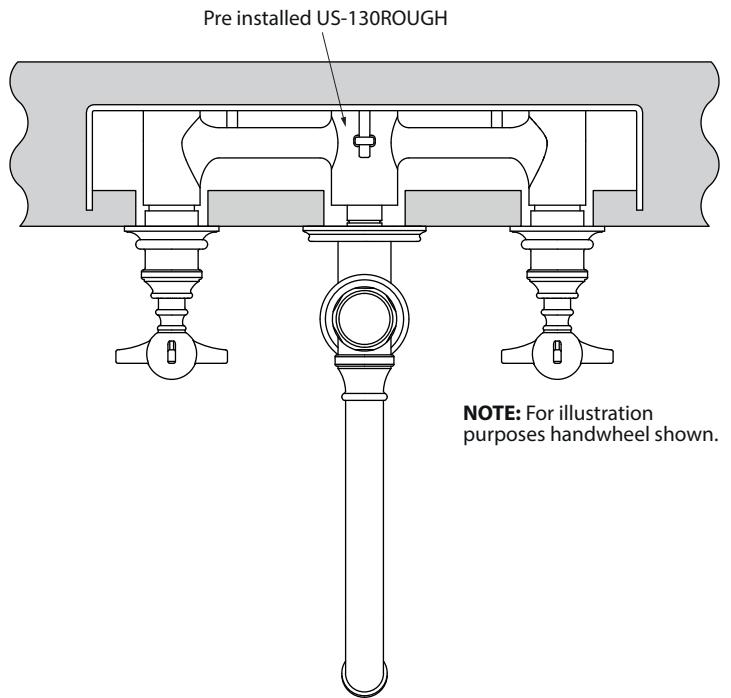
- Apply a narrow bead of caulking to the back edge of the cover plate and place around the main outlet.
- Attach spout and tighten until spout is vertical.

## Handwheel

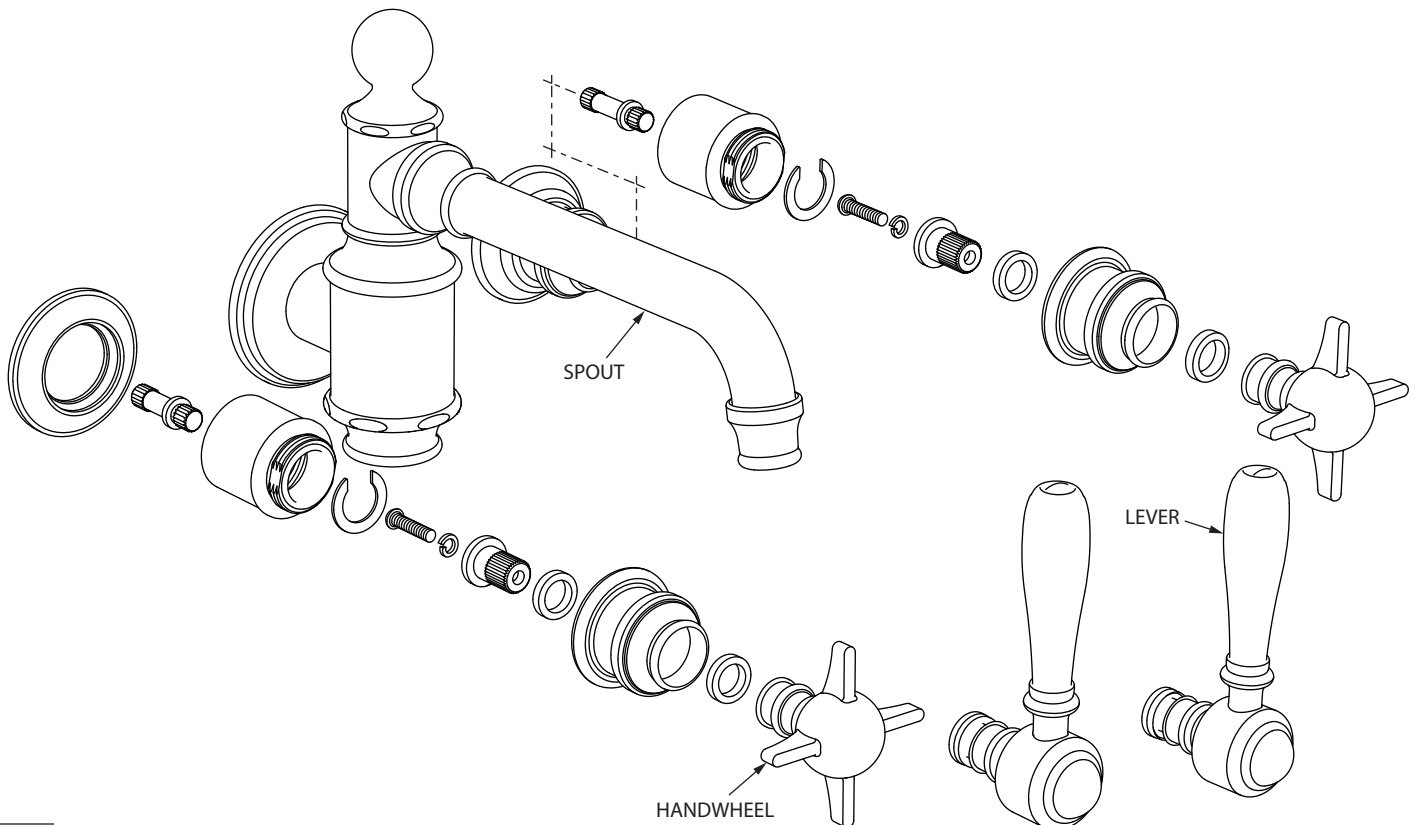
- Apply narrow bead of caulking to the back edge of the chrome collar and press into position.
- Place the handles into the chrome collar and secure using the retaining screw.
- Push fit the indice.

## ATTENTION; Check all new connections for leaks.

- Turn on the mains water supply, close all faucets except for the new installed faucet and as the system refills, check for leaks.
- Once satisfied there are no leaks, switch on the heating system.



# 2 Parts list



# 3 Maintenance

## Care of your faucet

- We recommend cleaning the faucet with a soft damp cloth.
- We strongly advise against the use of **ALL** cleaning products.

**Warranty;** All **Crosswater** products come with a limited lifetime warranty. For full details, terms and conditions visit our website.

For further information contact; **Crosswater Bathrooms**, 393 Fortune Blvd., Milford, MA 01757

[www.crosswater-bathrooms.com](http://www.crosswater-bathrooms.com)

Toll free number: 844-XWATER-1 (844-992-8371)

tel: 508-381-6062

fax: 508-381-6068

email: [technical@crosswater-bathrooms.com](mailto:technical@crosswater-bathrooms.com)