

Waldorf LED Mirror

US-WF6060

Installation Instructions



IMPORTANT SAFETY INSTRUCTIONS

THIS FIXTURE MUST BE INSTALLED BY A QUALIFIED ELECTRICIAN.

Read these instructions thoroughly prior to installation. Improper installation voids the product warranty. Failure to follow instructions could result in serious injury or death.

Keep these instructions for future use and reference.
Installed products cannot be returned.

If you experience any problems with your mirror, contact your dealer directly.
This product uses non-replaceable LED lamps.

DANGER: Risk of personal injury. To avoid possible electrical shock, the electricity must be turned off at the circuit breaker or fuse box before attempting any installation procedure.

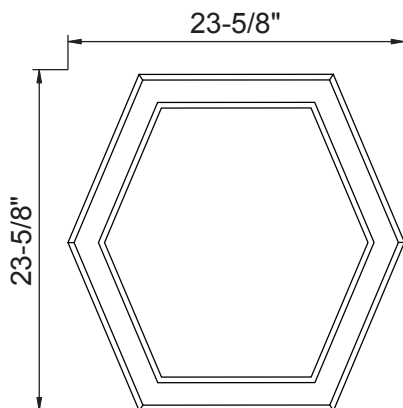
DANGER: Risk of personal injury. To avoid possible electrical shock, the outlet box must be properly grounded. Observe all local electrical codes and building codes.

This fixture is for indoor use only.

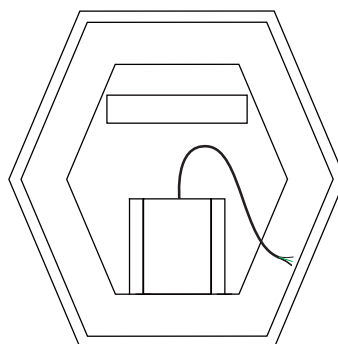
This product must be connected to a grounded metal, permanent wiring system, or an equipment-grounding conductor must be run with the circuit conductors and connected to the equipment-grounding terminal or lead on the product.

This luminaire must be mounted or supported independently of an outlet box. Make sure electrical connections are wired correctly. Power and neutral wires must be connected to the luminaire disconnect. Insert the power wire into the black colored insert and the neutral wire into the white colored insert. The ground must be connected. Do not defeat the safety purpose of the grounding wire inside the chassis. The chassis must be grounded to avoid possible electrical shock.

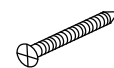
Prior to installation carefully unpack and inspect the fixture for any damage that may have occurred during transport and that all required parts are supplied. **Note: Damage claims cannot be made during or after installation.**



Front View



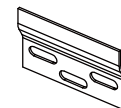
Back View



Screw x6



Wall anchor x6



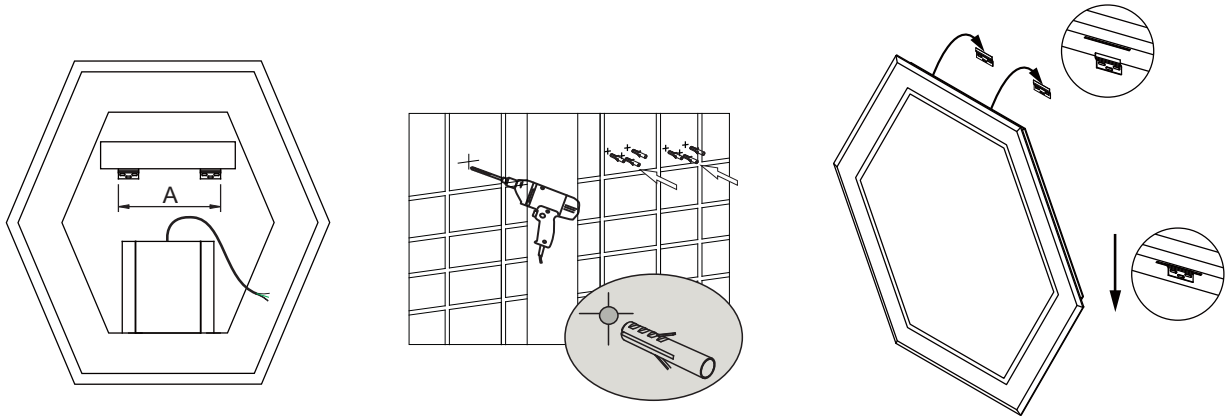
Mounting bracket x2

1. MIRROR MOUNTING

WARNING: Check for any hidden pipes and cables, electric or otherwise, before drilling holes in a wall.

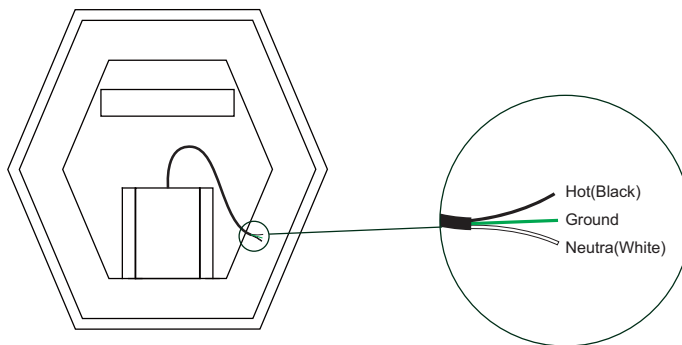
Before mounting, identify the mirror location on the wall. Drill marks should be measured from the edge of the mirror **not from the edge of the mounting bar**. The fixture must be installed with the mounting bracket and the 6 screws supplied. Use wall anchors or suitable stud wall fitting (not supplied). See individual product for mounting hole locations.

Check to make sure the mounting brackets are level.



2. WIRING DETAILS

Please note, all electrical installations should be carried out by a fully qualified electrician in conformance with the National Electrical Code and local building codes.



3. POWER CONNECTION

Before proceeding to power supply wiring, ensure the electricity supply is turned off at the circuit breaker or fuse box. Bring the power cable in through the wall.

Insert the ground wire in the grounded connector. Insert the hot and neutral wires into the luminaire disconnect.

Reconnect power supply and test.

CLEANING INSTRUCTIONS

The safest cleaner for a mirror is a soft, clean cloth and warm water. If using a glass or mirror cleaner, be sure it does not contain ammonia or vinegar. Never spray any cleaner directly on to a mirror. Spray the cleaner on to a soft cloth and then wipe the mirror.

The mirror edges are treated with a specially formulated sealant designed to protect the mirror edges from contaminants and discoloring.

Care should always be taken to avoid getting the edges and backing of the mirror wet. Should they get wet, dry immediately.

Warranty - This **Crosswater London** product is covered by a limited lifetime warranty. For full details, terms and conditions please visit our website.

For further information contact: **Crosswater London**, 393 Fortune Blvd., Milford, MA 01757 www.crosswaterlondon.com

Toll free number: 844-XWATER-1 (844-992-8371) tel: 508-381-0433 fax: 508-381-6068 email: technical@crosswaterlondon.com