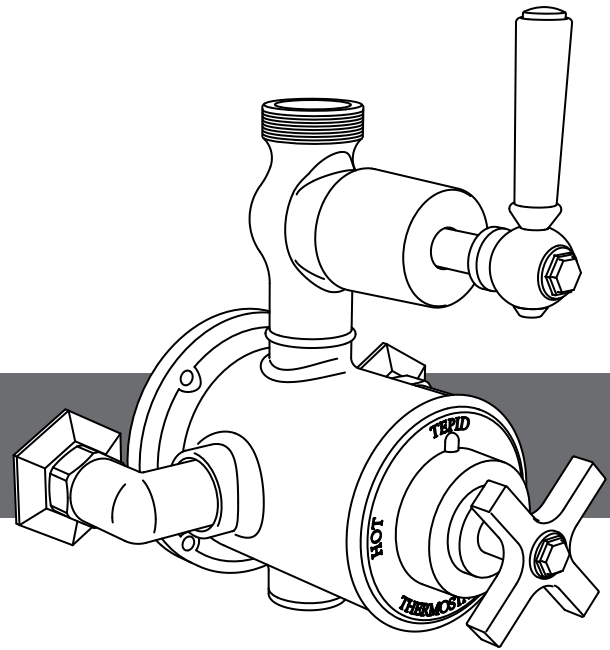


Waldorf Exposed Thermostatic Valve

US-WF1000EV

Installation Instructions



Introduction

This exposed valve is suitable for use with all water systems up to a maximum operating pressure of 72 psi and static pressure of 144 psi, beyond which pressure reducing valves must be installed. The minimum water pressure requirement is 14.5 psi.

The outlet is controlled by a flow control cartridge, commonly used for a main shower head.

IMPORTANT:
Please read these instructions carefully before beginning and retain for future reference.

Installation notes

The installation must comply with all plumbing codes including local codes. This valve is a mixing device and therefore requires the water supplies to be reasonably balanced, otherwise we recommend a pressure-reducing valve to be installed.

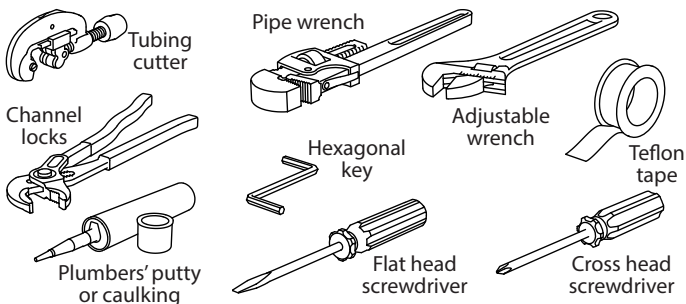
The valve is fitted with integral single-check valve cartridges, therefore the exposed valve is protected against cross-flow due to unbalanced line pressures.

Installing shut-off valves on incoming supply lines is recommended for ease of maintenance.

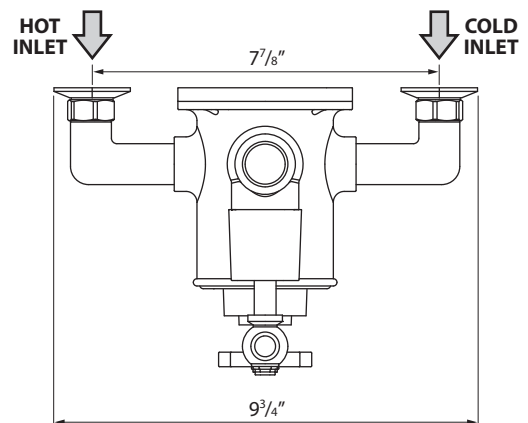
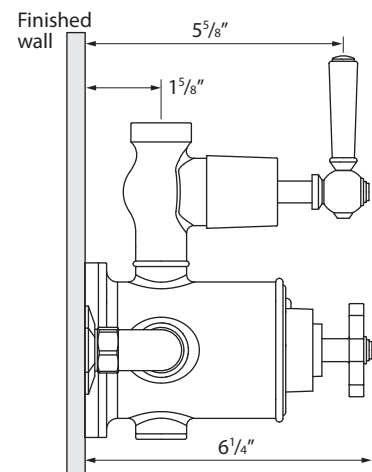
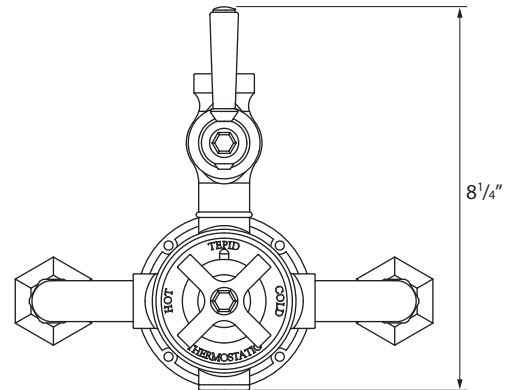
IMPORTANT: Turn off the main water supply before connecting to any existing pipework.

WARNING! Please check for any hidden pipes and cables, electric or otherwise, before drilling holes in a wall.

Tools required

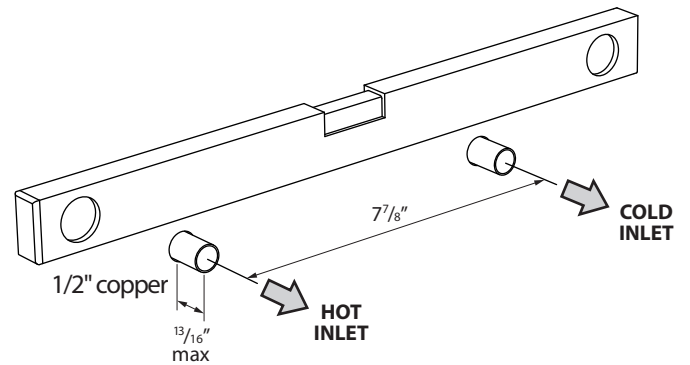


Roughing-in dimensions



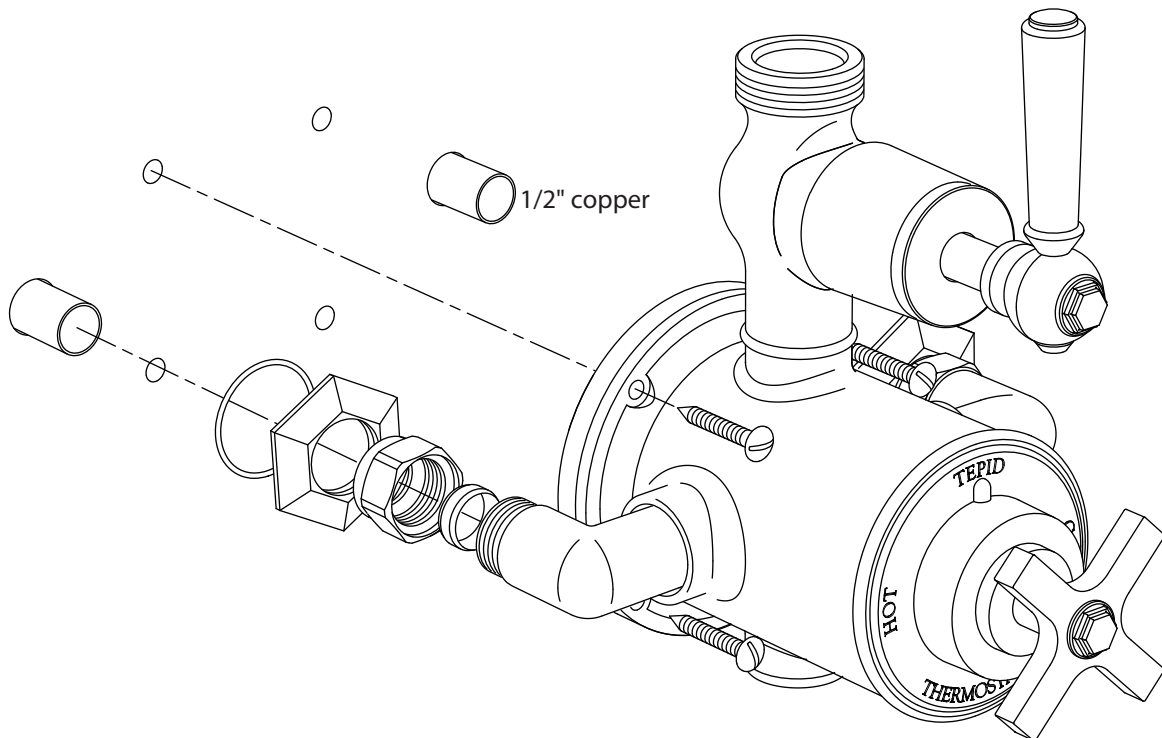
1 Installation

- Make sure that the hot and cold inlet pipes have been installed correctly.
- The inlet pipes should be perpendicular to the wall, have a maximum length of $1\frac{3}{16}$ " , are level and are $7\frac{7}{8}$ " apart as shown opposite.



2 Installation

- Position the valve onto the wall and mark the position of the fixing holes (x4).
- Drill the fixing holes.
- Mount the exposed valve to the wall using suitable fixings for the wall construction.
- Connect the hot and cold water supplies and main outlet.
- Once the valve is installed, add the riser rail to the top outlet. To install the bottom spout remove the stop located at the bottom of the valve and connect the on/off lever then the spout.
- **Turn on the water supplies and test all connections for water leaks.**



3 Maintenance

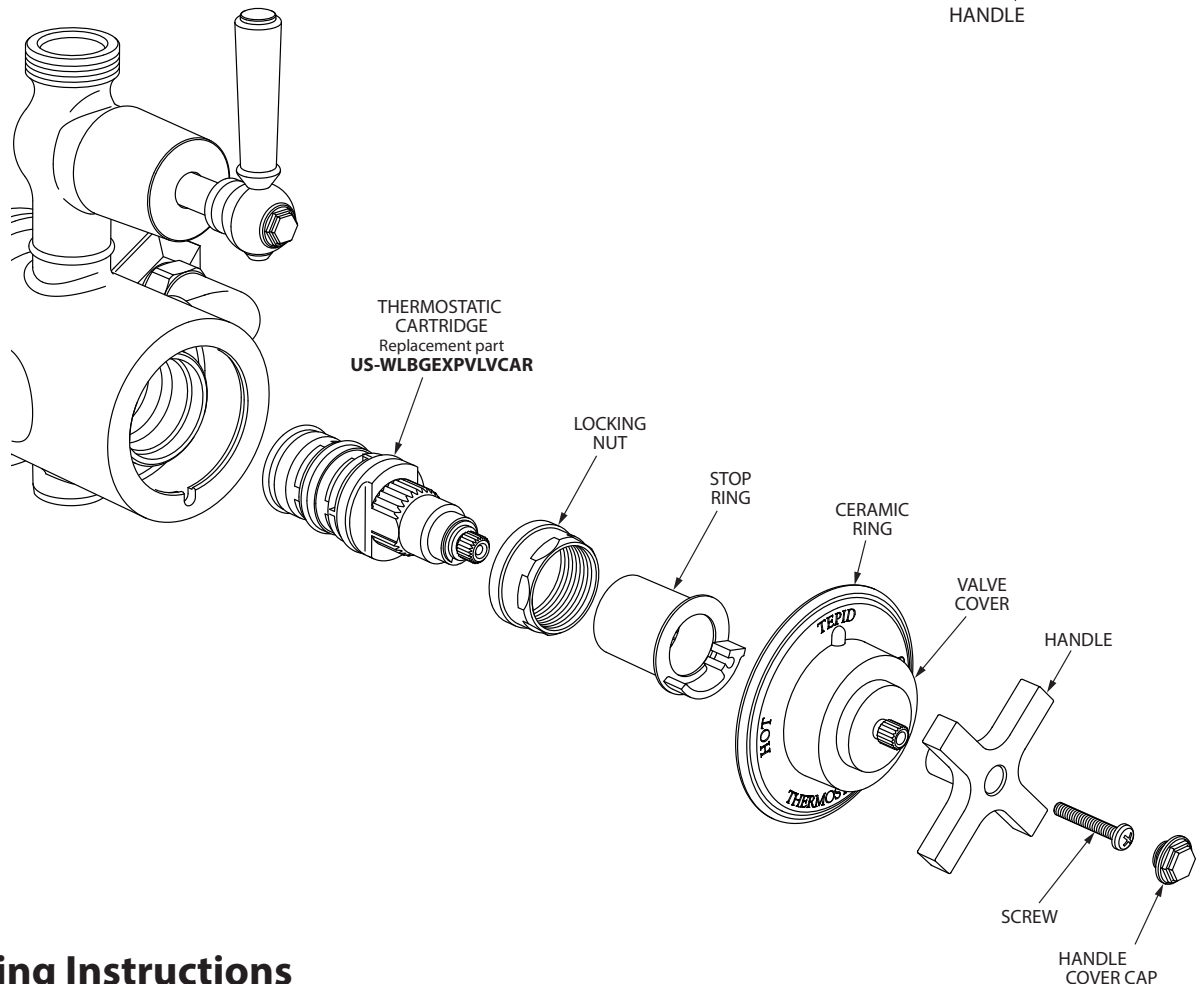
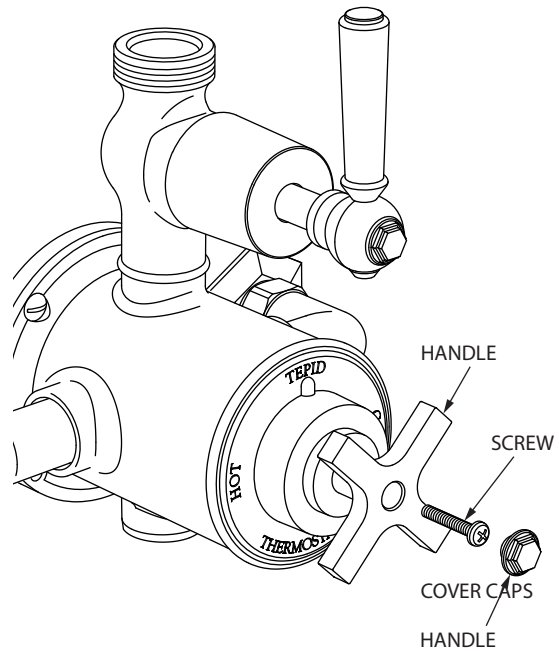
NOTE: To avoid damage, please remove all finished parts before maintenance takes place.

Thermostatic cartridges

- The 1" concealed thermostatic valve should give trouble-free service, however servicing is a straightforward process.

To remove the thermostatic cartridge

- Gently unscrew the cover cap from the handle.
- Undo the long screw and disassemble the parts as shown.
- Undo the cartridge locking nut, (take note of the orientation of the cartridge).
- Pull the cartridge out of the mixer housing.
- Wash the cartridge with clean running water and make sure that any trapped debris has been removed.
- Dry and lightly grease the seals, (only use silicone grease), and replace the cartridge.
- Re-assemble all parts.



Cleaning Instructions

Rinse away any traces of soap and gently dry with a clean, soft cloth after each use. Rinse completely with water and dry any overspray. This will maintain the finish and avoid water spotting.

To remove mineral deposits, use a 50/50 solution of white vinegar and water. Do not allow the solution to soak on the product.

Simichrome Polish® contains a protective film to enhance maintenance and is helpful in preventing water spot buildup. Follow instructions to ensure optimum results.

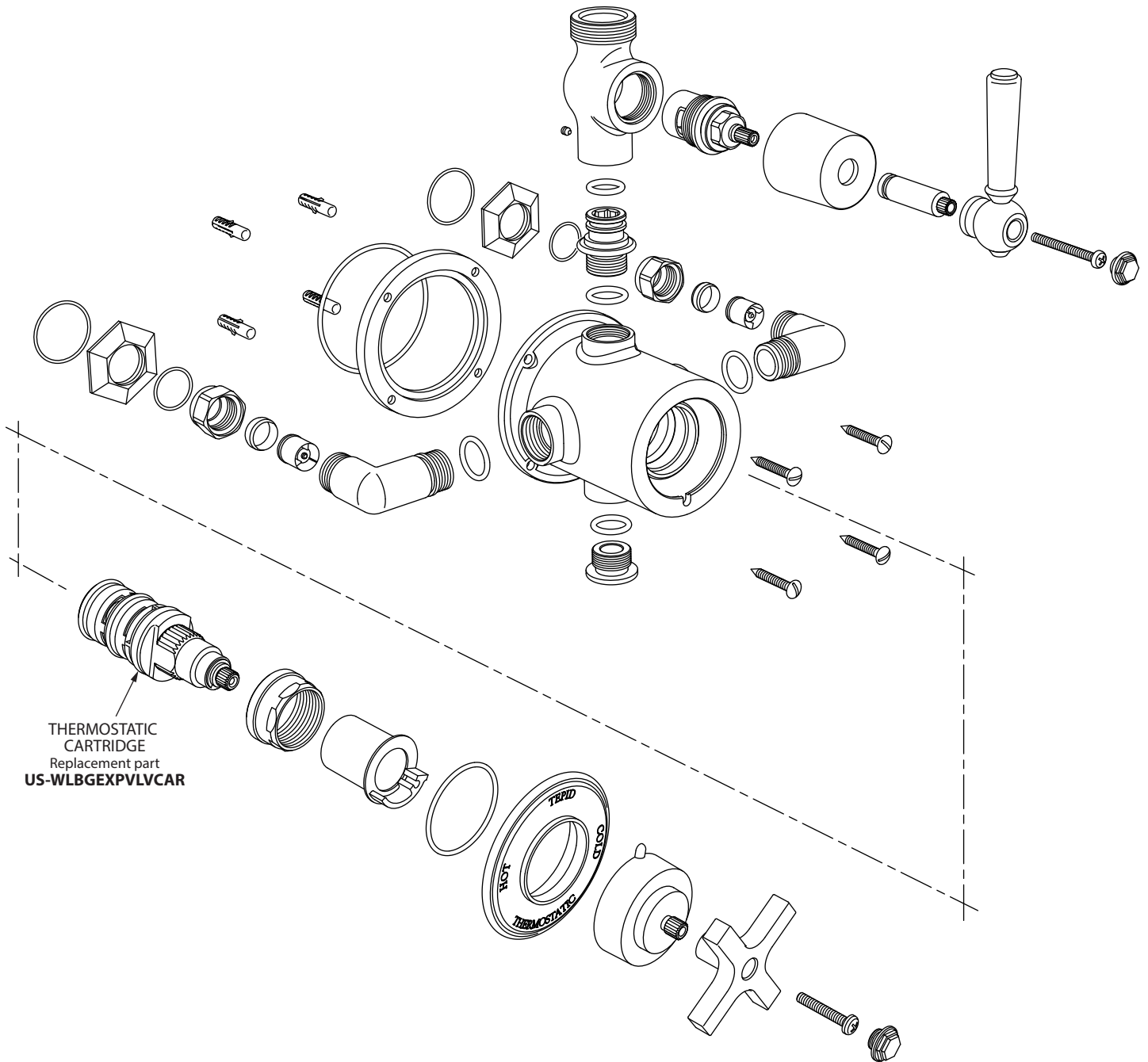
Never use an abrasive material such as a brush or scouring pad to clean the surface. The use of abrasive cleaners, cleansers or disinfectants will alter the surface finish and void the warranty.

Do not allow certain materials such as toothpaste, cologne, shaving cream, nail polish remover, vinegar, wine, drain and glass cleaners to remain on the surface. Prolonged contact will alter surface finishes and void the warranty.

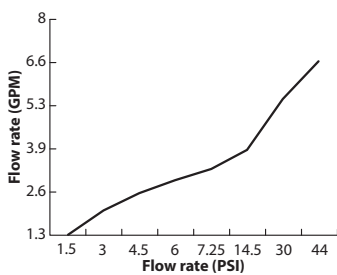
We DO NOT recommend using any household cleaners as many can cause damage to the finish.

Please see the website for care instructions for specific finishes. Follow instructions to ensure optimum results.

Spare parts



Flow rate



Appliance standards/codes

- IAPMO certified to meet or exceed the following;
ASME A112.18.1 / CSA B125.1
ASME A112.1016-2011 / CSA B125.16-11

Warranty - This **Crosswater London** product is covered by a limited lifetime warranty. For full details, terms and conditions please visit our website.

For further information contact: **Crosswater London**, 393 Fortune Blvd., Milford, MA 01757

www.crosswaterlondon.com

Toll free number: 844-XWATER-1 (844-992-8371) tel: 508-381-0433 fax: 508-381-6068

email: technical@crosswaterlondon.com